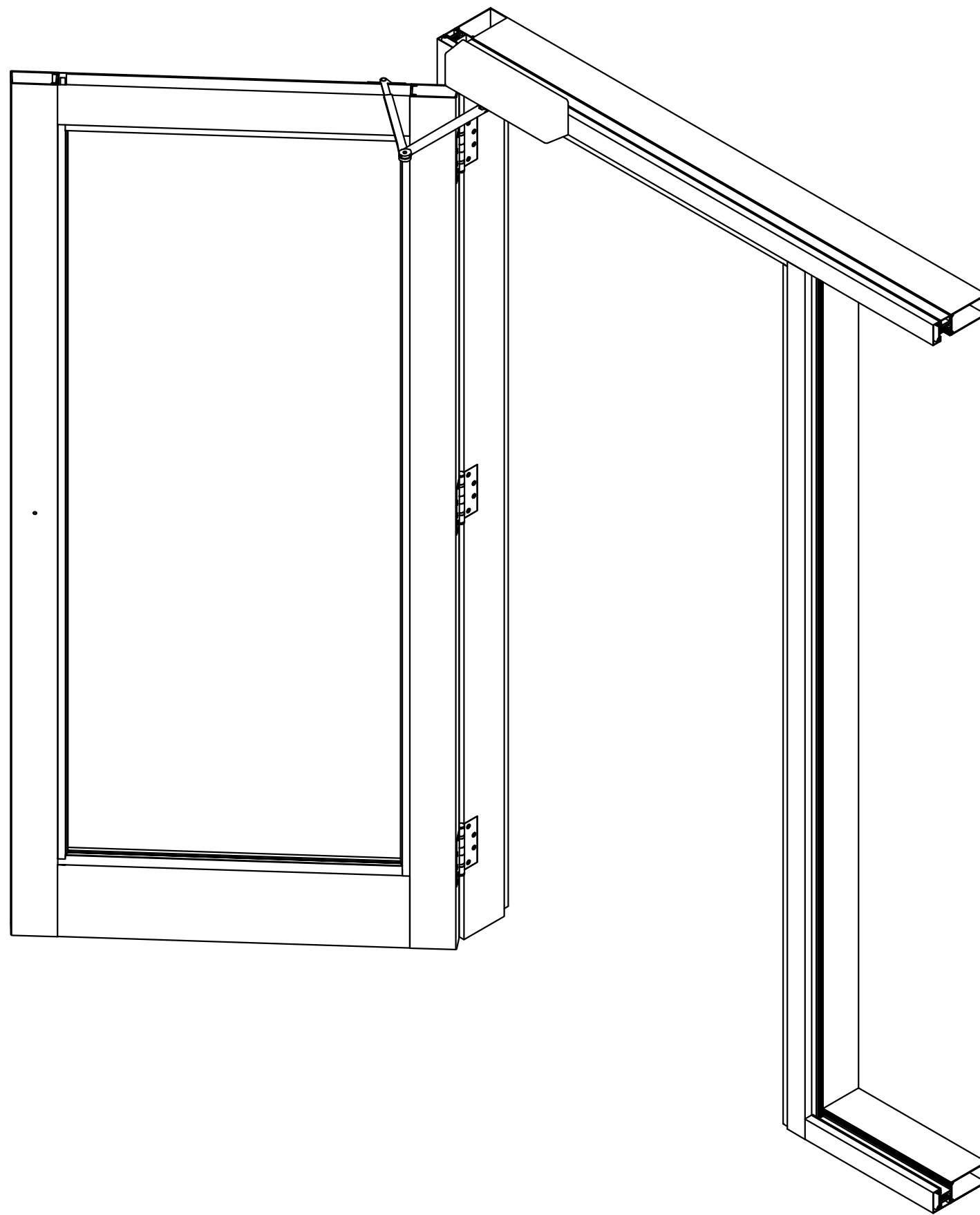


# 2500 CURTAIN WALL INFORMATION



## DESCRIPTION:

IT IS A THERMALLY BROKEN SYSTEM. CURTAIN WALL DIMENSIONS ARE 2 $\frac{1}{2}$ " IN WIDTH AND MULTIPLE OPTIONS IN HEIGHT.

## FINISH:

### STOCKED:

CLEAR ANODIZED (#17)  
STANDARD BRONZE (#40)

### NON-STOCKED\*:

CLEAR ANODIZED (#14)  
LIGHT BRONZE (#26)  
BLACK ANODIZED (#29)

\*PAINT FINISHES ARE AVAILABLE UPON REQUEST

## STOCK LENGTH:

24'(7.31M)

## GLAZING:

2500 CURTAIN WALL ACCEPTS 1"(6mm) AND  $\frac{1}{4}$ " (6mm) GLAZING UNITS



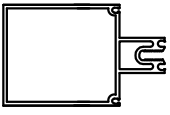
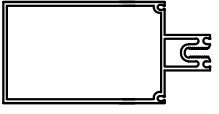

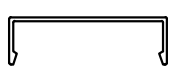

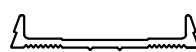

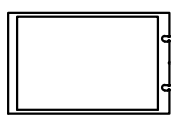
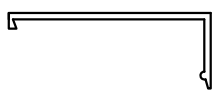
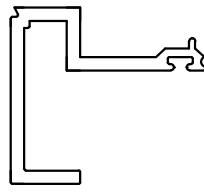
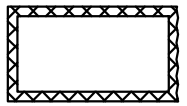
COMMERCIAL DESIGN  
SYSTEMS INC.

DATE: AUGUST 2014  
TEL: (905) 738-0188  
FAX: (905) 738-6132  
E-MAIL: CDS2009@BELLNET.CA

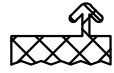
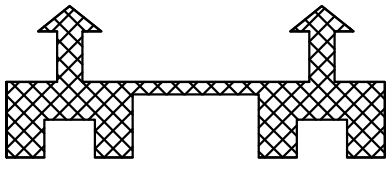
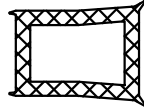





PAGE:

B1

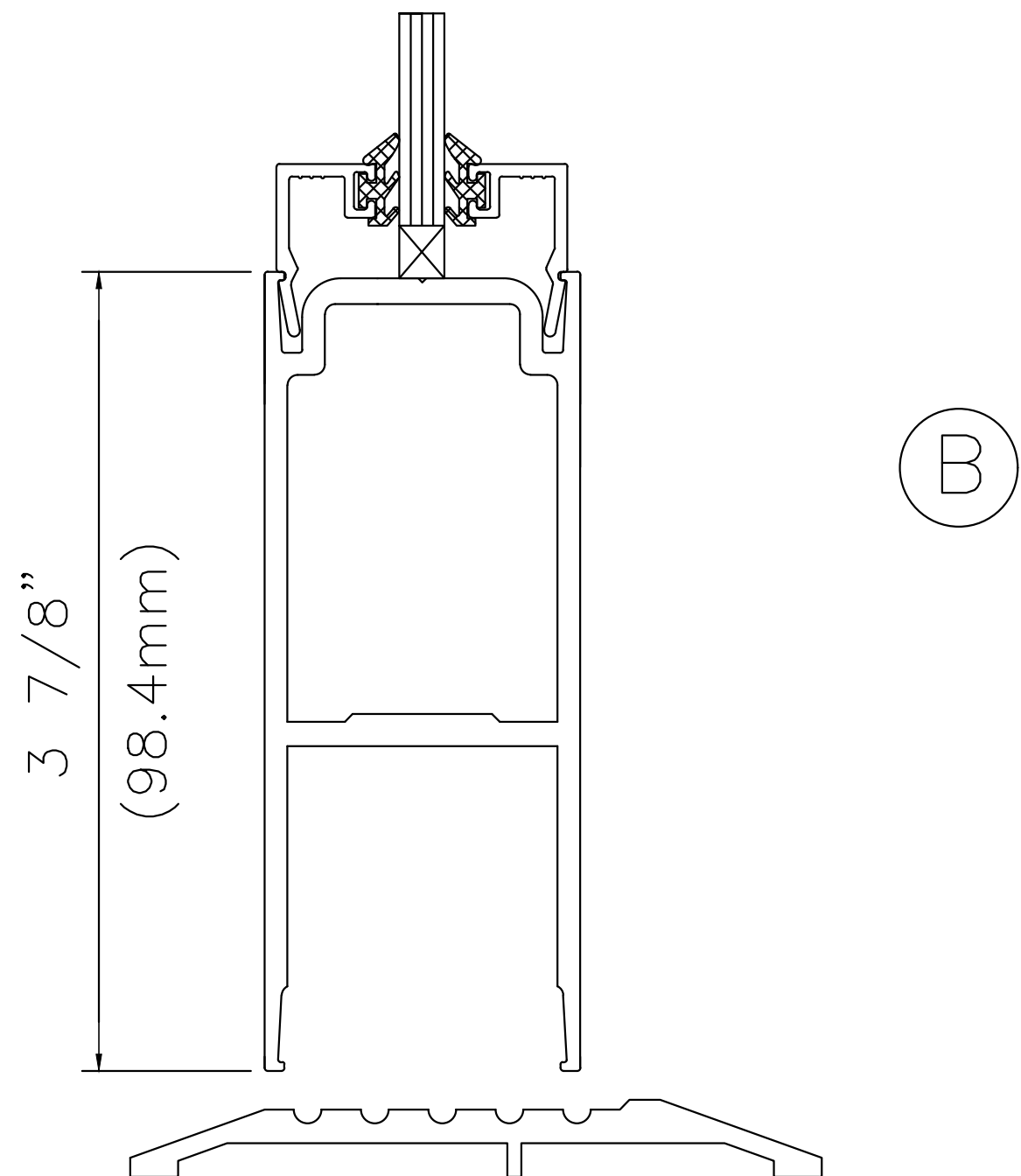
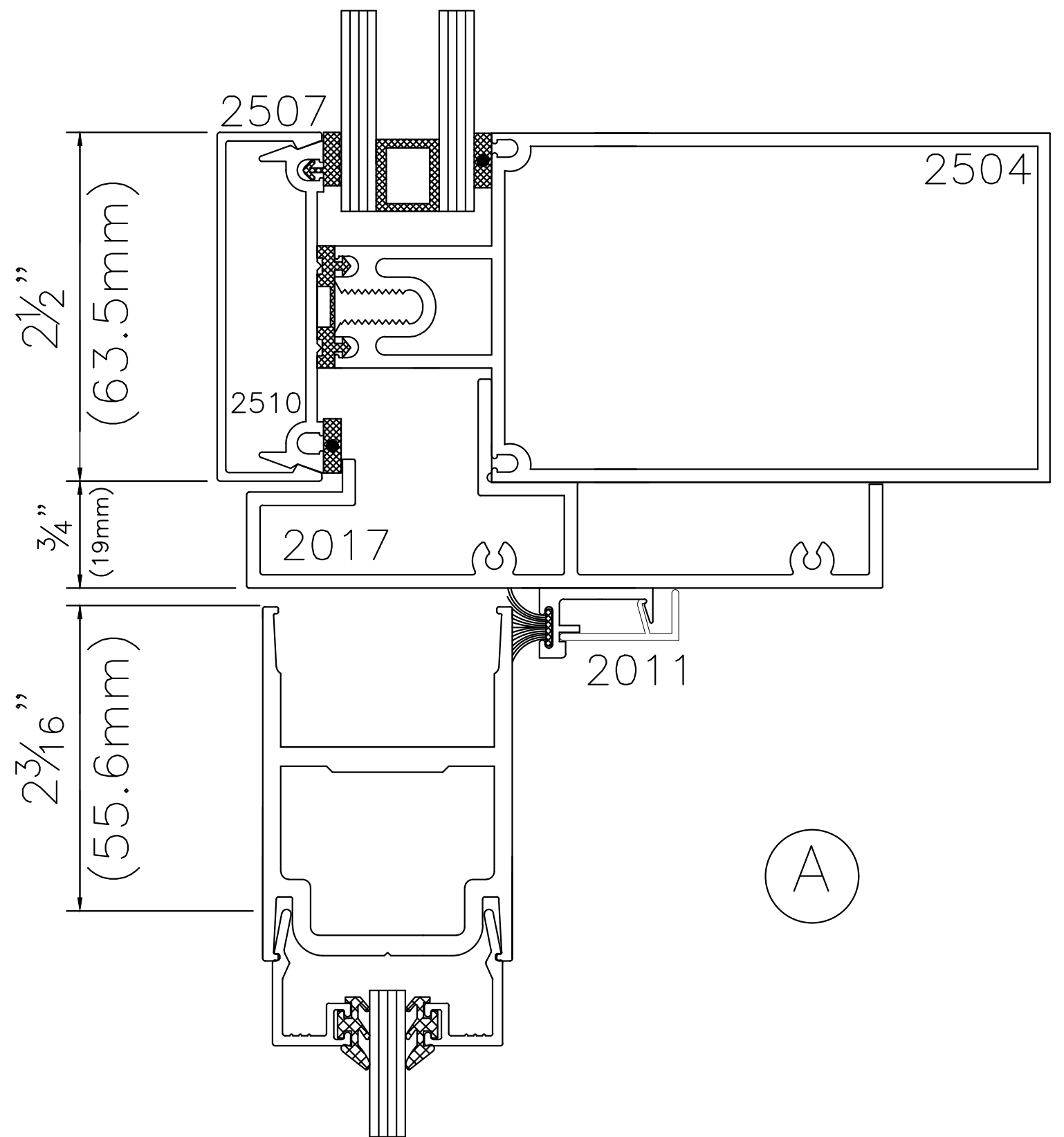
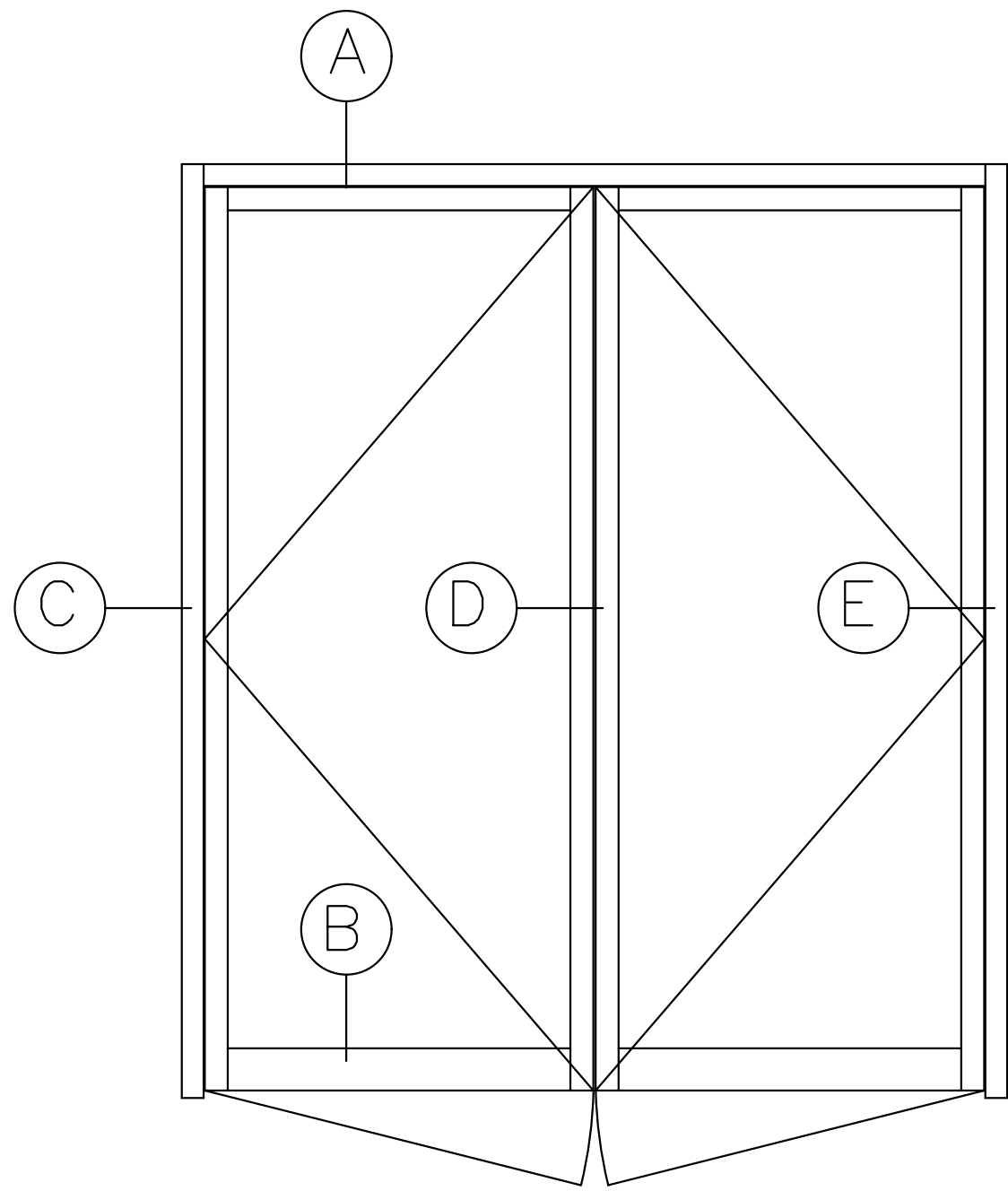
# 2500 SERIES CURTAIN WALL

PART	PART NO	DESCRIPTION	FINISH
	2502	2 1/2" X 2 7/8" CURTAIN WALL	STOCKED CLEAR ANODIZED(2) STANDARD BRONZED ANODIZED(3)
			NOT STOCKED LIGHT BRONZED ANODIZED(5) BLACK ANODIZED(6)
	2504	2 1/2" X 4" CURTAIN WALL	STOCKED CLEAR ANODIZED(2) STANDARD BRONZED ANODIZED(3)
			NOT STOCKED LIGHT BRONZED ANODIZED(5) BLACK ANODIZED(6)
	2505	2 1/2" X 5 1/4" CURTAIN WALL	STOCKED CLEAR ANODIZED(2) STANDARD BRONZED ANODIZED(3)
			NOT STOCKED LIGHT BRONZED ANODIZED(5) BLACK ANODIZED(6)
	2507	2 1/2" X 3/4" CURTAIN WALL CAP	STOCKED CLEAR ANODIZED(2) STANDARD BRONZED ANODIZED(3)
			NOT STOCKED LIGHT BRONZED ANODIZED(5) BLACK ANODIZED(6)
	2510	2 1/2" DRY SEAL PRESSURE PLATE	STOCKED CLEAR ANODIZED(2) STANDARD BRONZED ANODIZED(3)
			NOT STOCKED LIGHT BRONZED ANODIZED(5) BLACK ANODIZED(6)
	2511	2 1/2" WET SEAL GLAZE PRESSURE PLATE	STOCKED CLEAR ANODIZED(2) STANDARD BRONZED ANODIZED(3)
			NOT STOCKED LIGHT BRONZED ANODIZED(5) BLACK ANODIZED(6)
	2512	SINGLE GLAZING ADAPTOR	STOCKED CLEAR ANODIZED(2) STANDARD BRONZED ANODIZED(3)
			NOT STOCKED LIGHT BRONZED ANODIZED(5) BLACK ANODIZED(6)
	2514	2 1/2" X 4" SG CURTAIN WALL MULLION	STOCKED CLEAR ANODIZED(2) STANDARD BRONZED ANODIZED(3)
			NOT STOCKED LIGHT BRONZED ANODIZED(5) BLACK ANODIZED(6)
	2517	FLUSH DOOR ADAPTOR CAP FOR 2 1/2" CURTAIN WALL	STOCKED CLEAR ANODIZED(2) STANDARD BRONZED ANODIZED(3)
			NOT STOCKED LIGHT BRONZED ANODIZED(5) BLACK ANODIZED(6)
	2518	FLUSH DOOR ADAPTOR BASE FOR 2 1/2" CURTAIN WALL	STOCKED CLEAR ANODIZED(2) STANDARD BRONZED ANODIZED(3)
			NOT STOCKED LIGHT BRONZED ANODIZED(5) BLACK ANODIZED(6)
	R2007	POCKET FILLER 3/4" X 1 1/8"	

# 2500 SERIES CURTAIN WALL

PART	PART NO	DESCRIPTION	FINISH
	R2503	PRESSURE PLATE GASKET	
	R2505	THERMO BREAK FOR 2 1/2" CURTAIN WALL	
	H2005	CORNER PLUG	
	H2501	SPIGOT FOR 2 1/2" X 4" CURTAIN WALL	
	H2502	SPIGOT FOR 2 1/2" X 5 1/4" CURTAIN WALL	
	H2514	#20 X 1/8" X 3/4" TAPPING SCREW	
	H2515	#20 X 1/4" X 3/4" MACHINE SCREW	
	H2515 -S	#20 X 1/4" X 3/4" S.S MACHINE SCREW	
	H2516	#10-24 X 1 1/4" FLAT HEAD SCREWS	

# 2500 SERIES CURTAIN WALL (2 1/2" X 3") WITH STANDARD PAIR DOORS



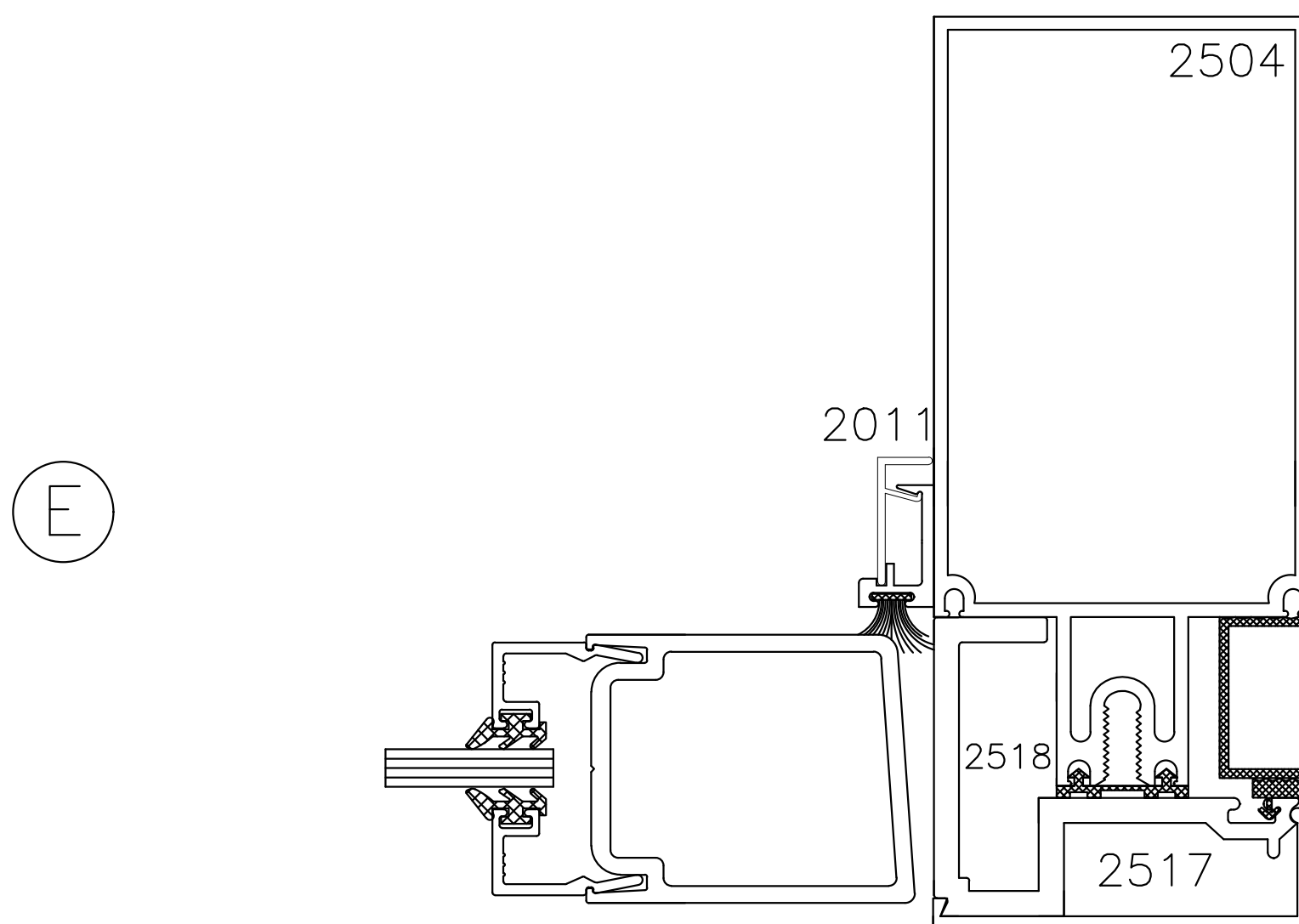
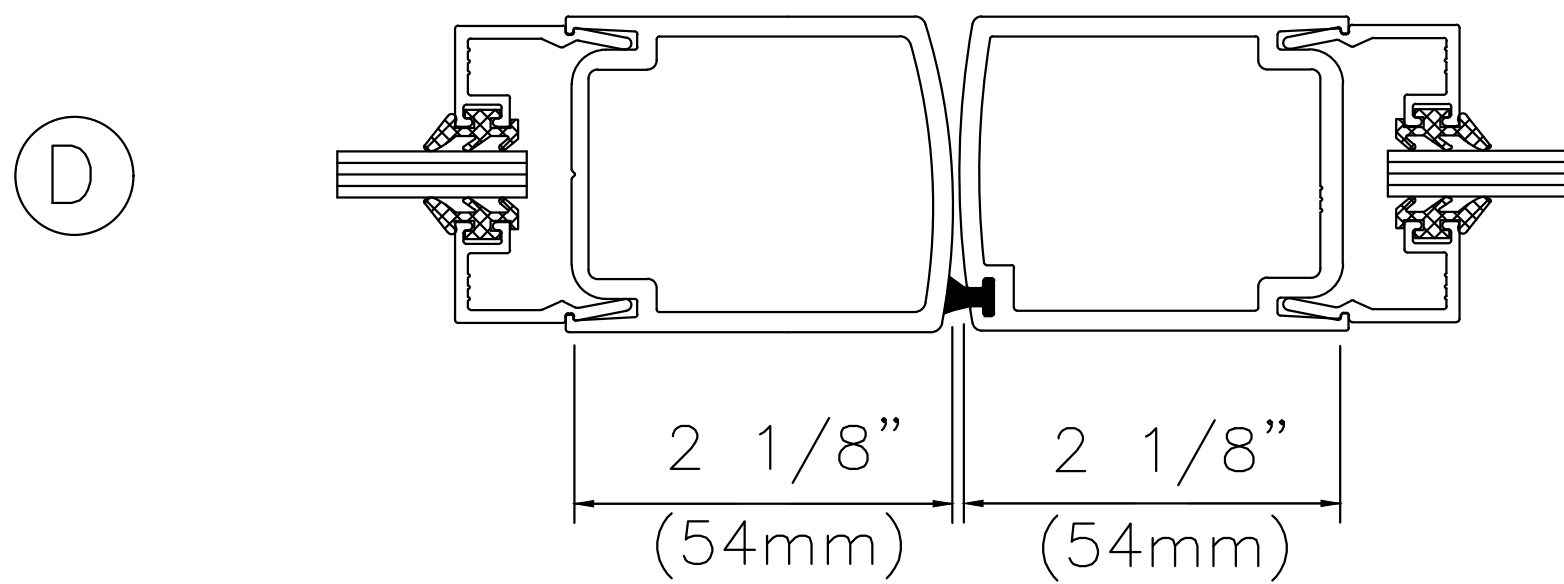
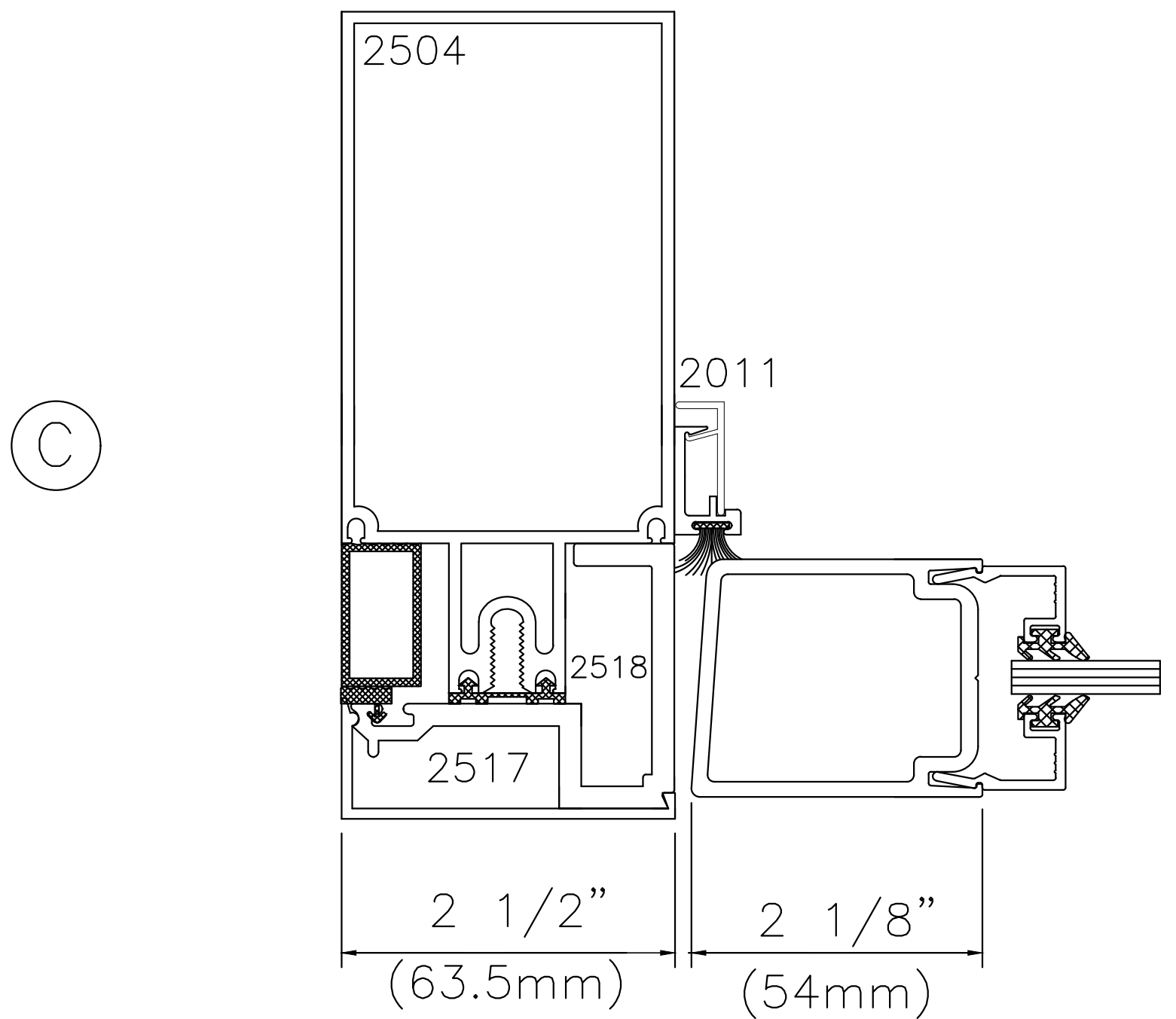
**COMMERCIAL DESIGN  
SYSTEMS INC.**

DATE: AUGUST 2014  
 TEL: (905) 738-0188  
 FAX: (905) 738-6132  
 E-MAIL: CDS2009@BELLNET.CA

PAGE:

B4

# 2500 SERIES CURTAIN WALL (2 1/2" X 3") WITH STANDARD PAIR DOORS



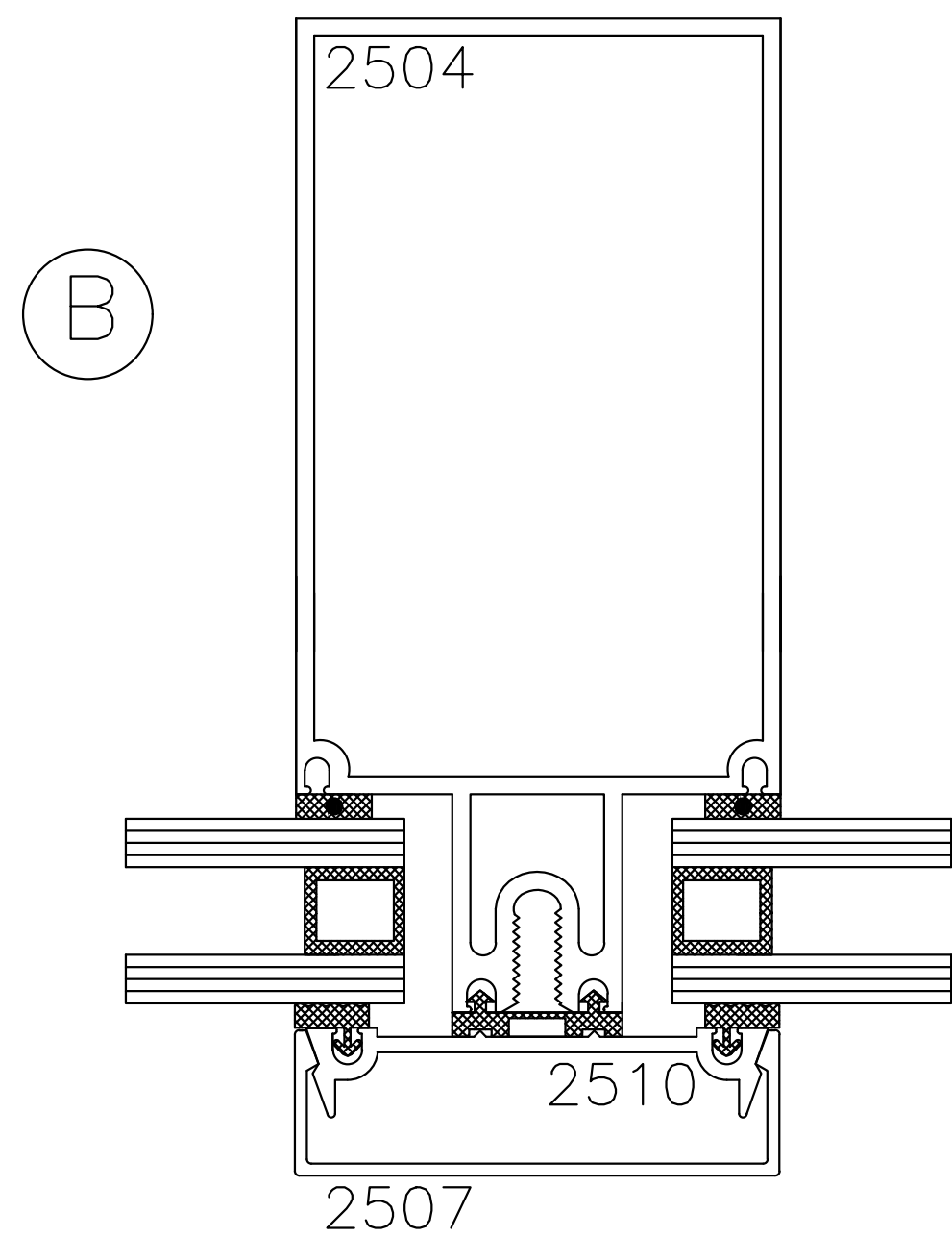
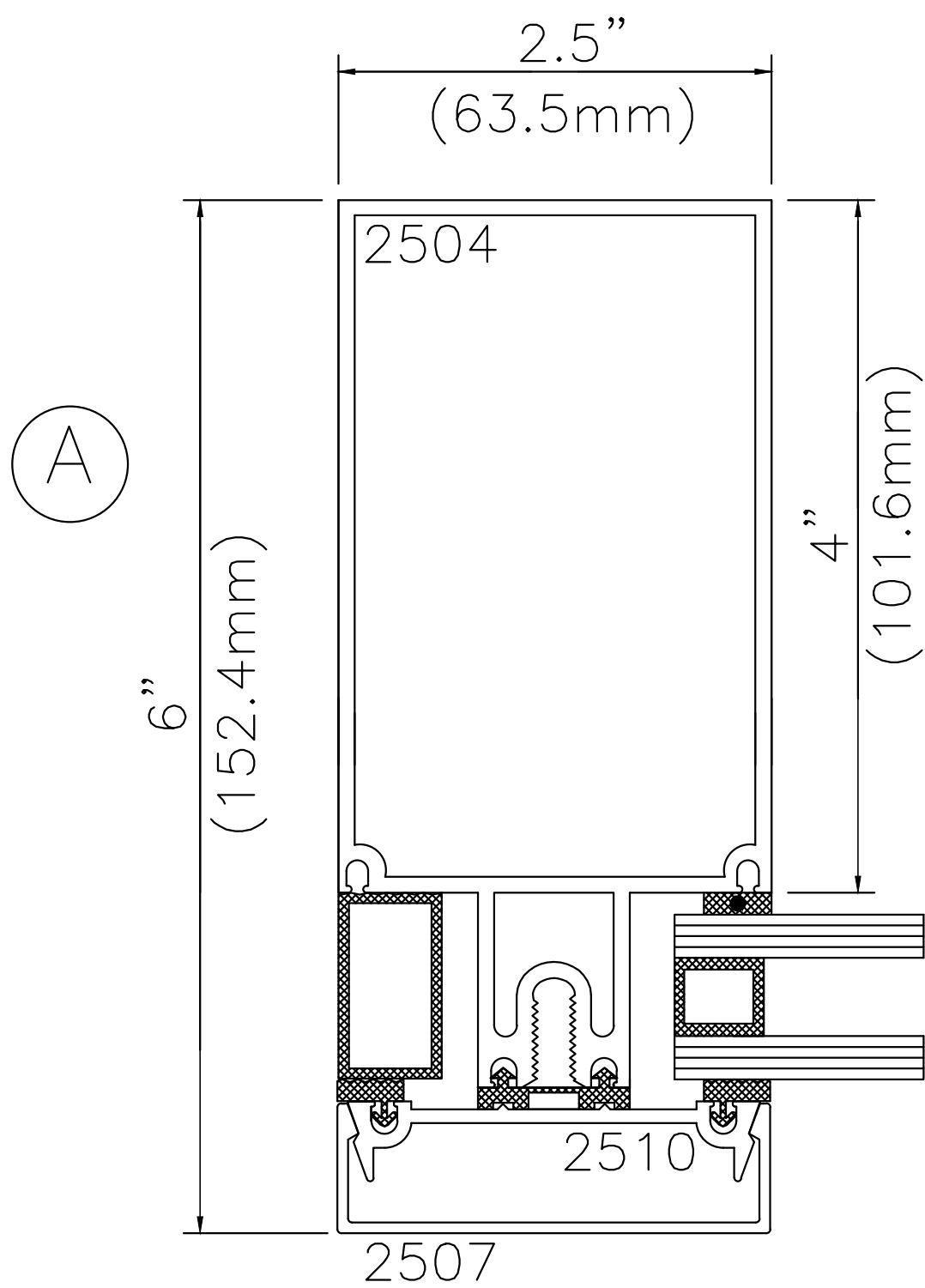
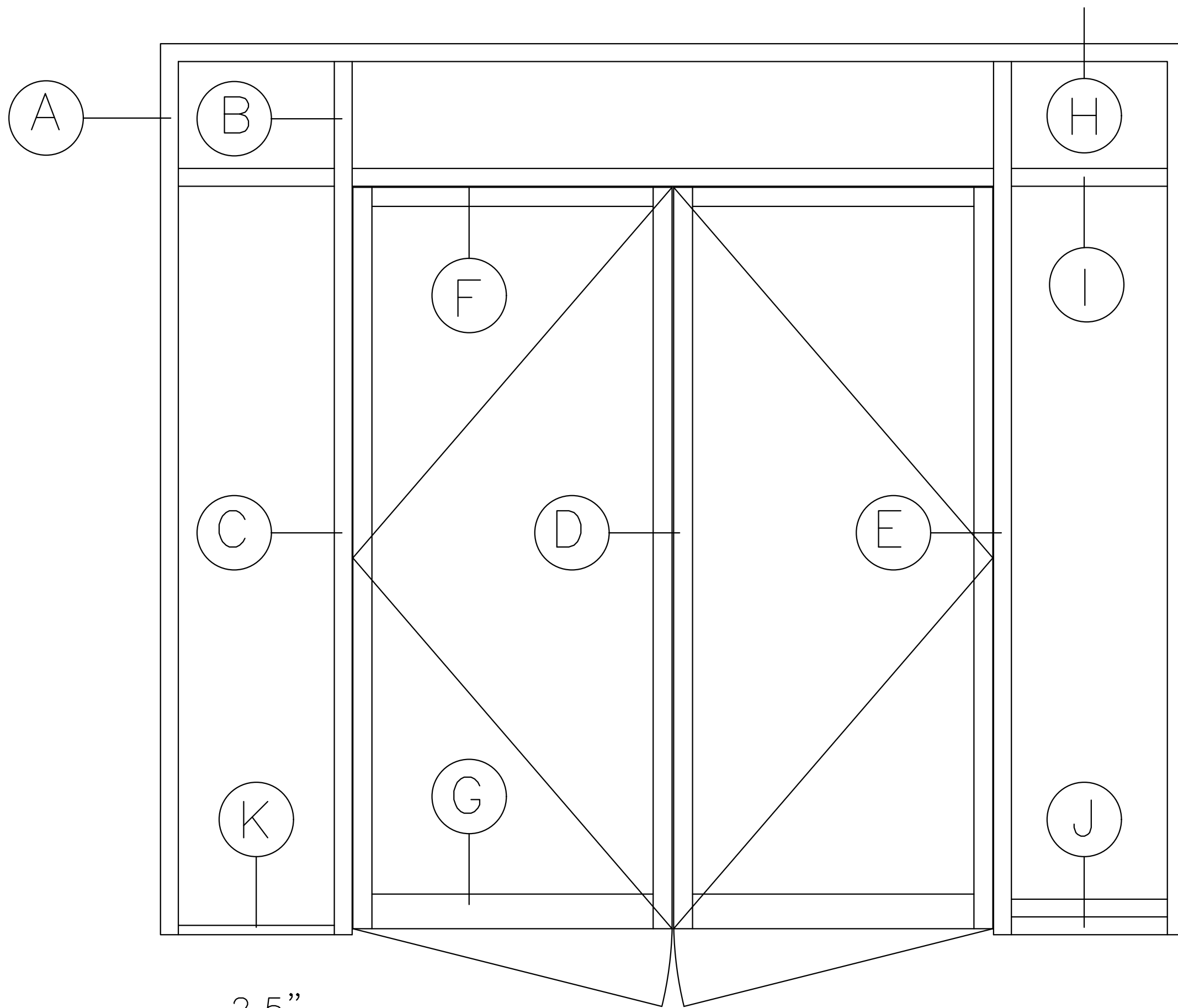
**COMMERCIAL DESIGN  
SYSTEMS INC.**

DATE: AUGUST 2014  
 TEL: (905) 738-0188  
 FAX: (905) 738-6132  
 E-MAIL: CDS2009@BELLNET.CA

PAGE:

B5

# 2500 SERIES CURTAIN WALL



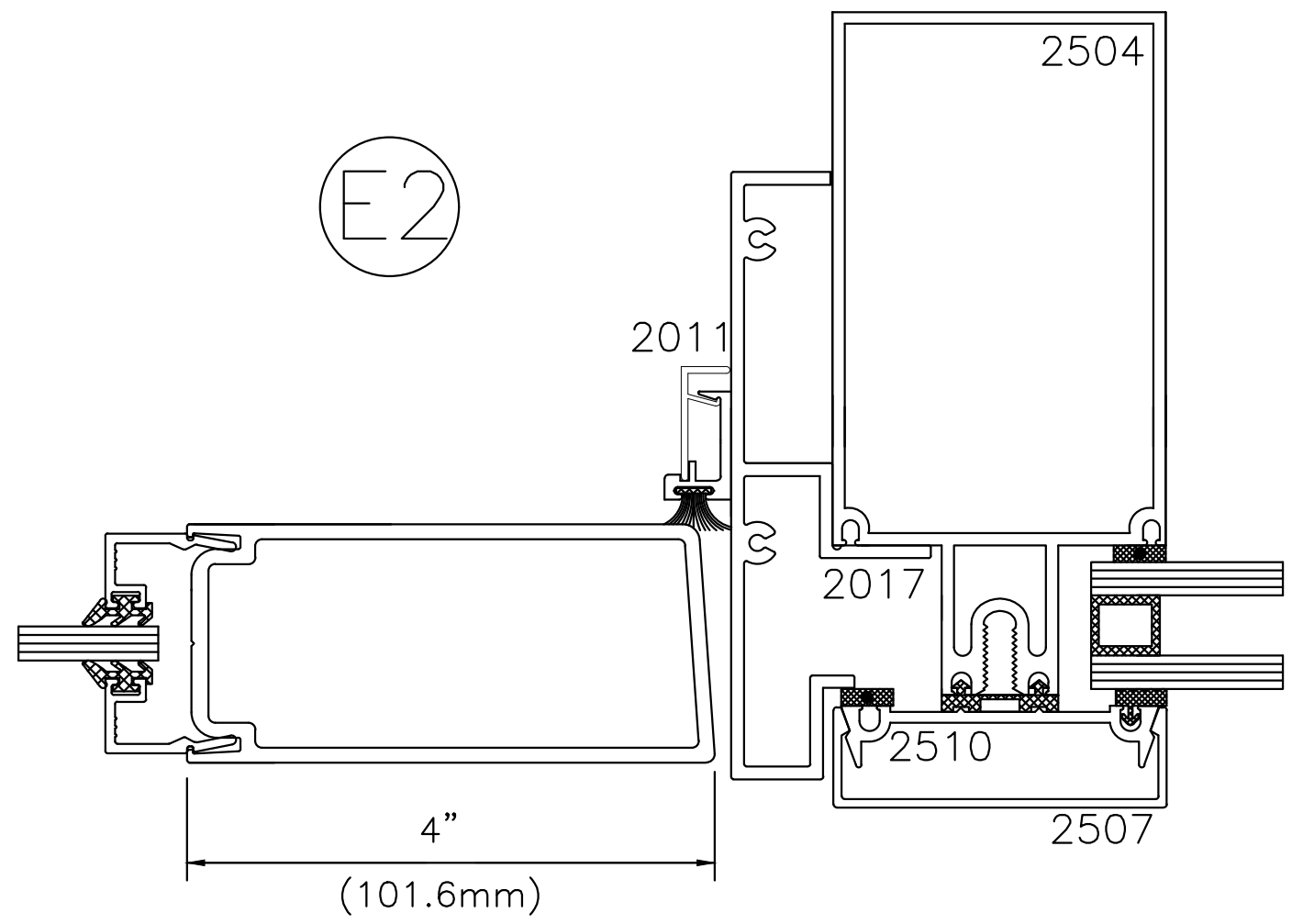
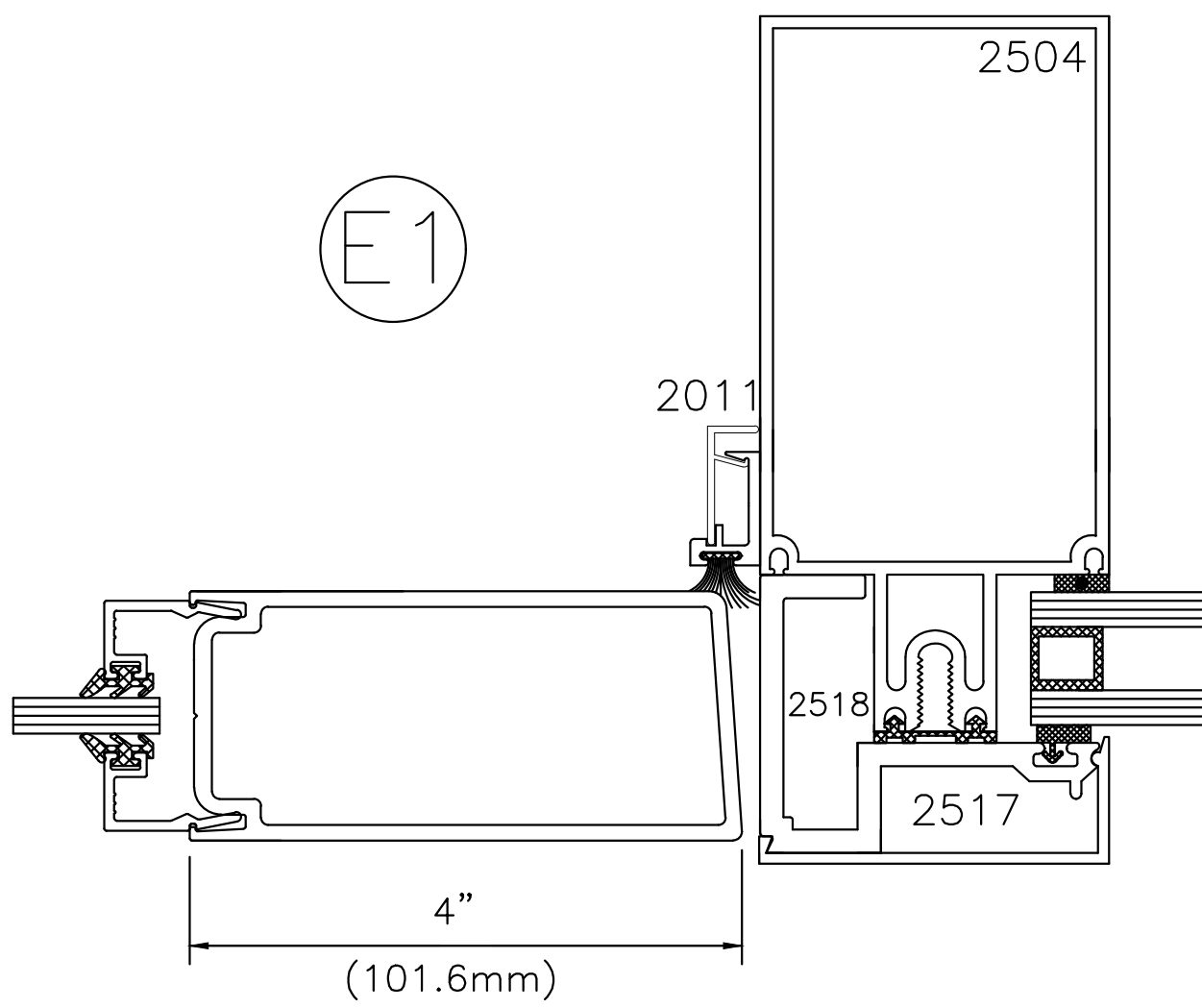
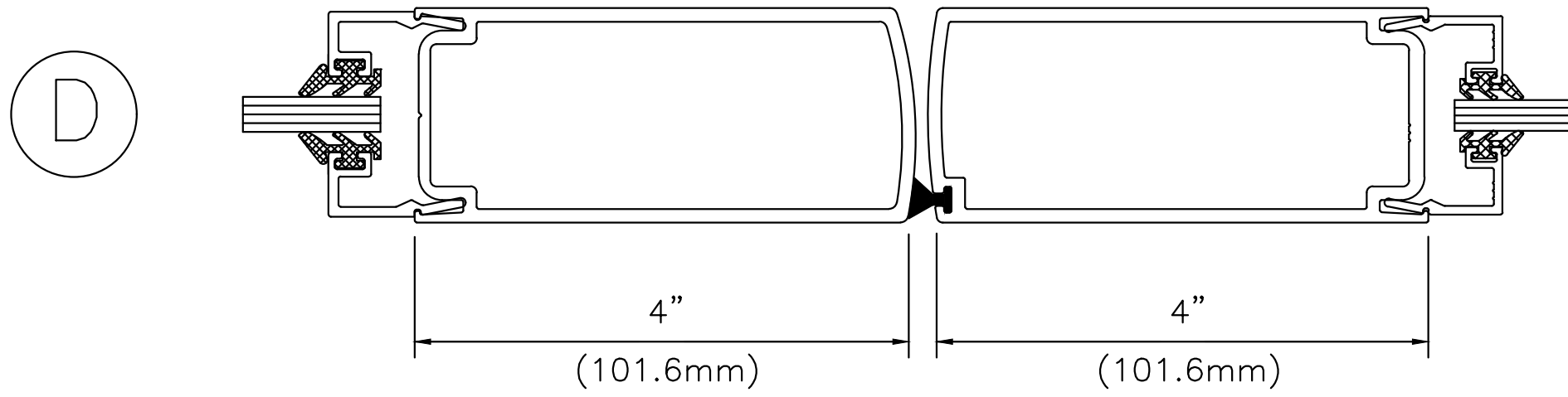
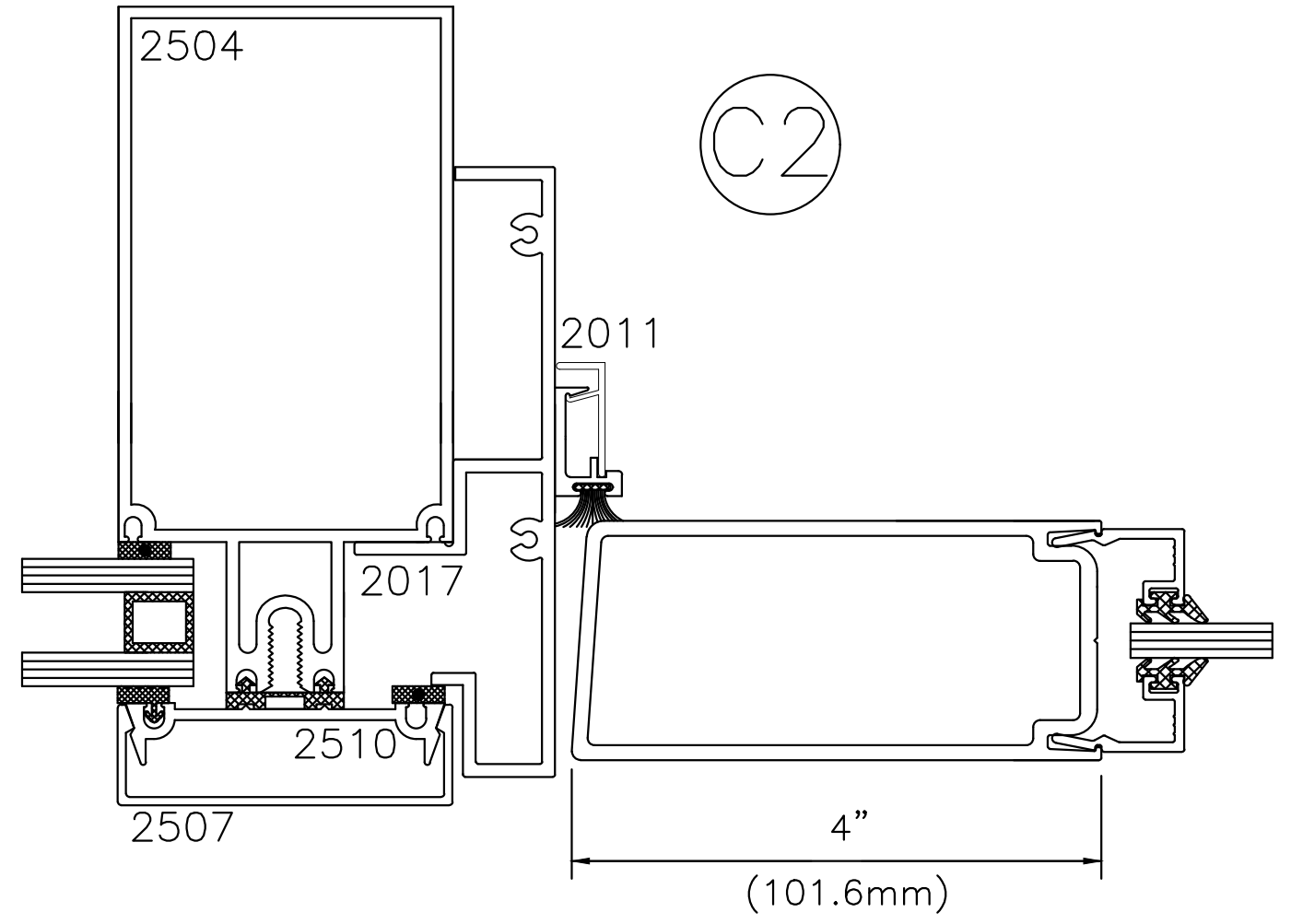
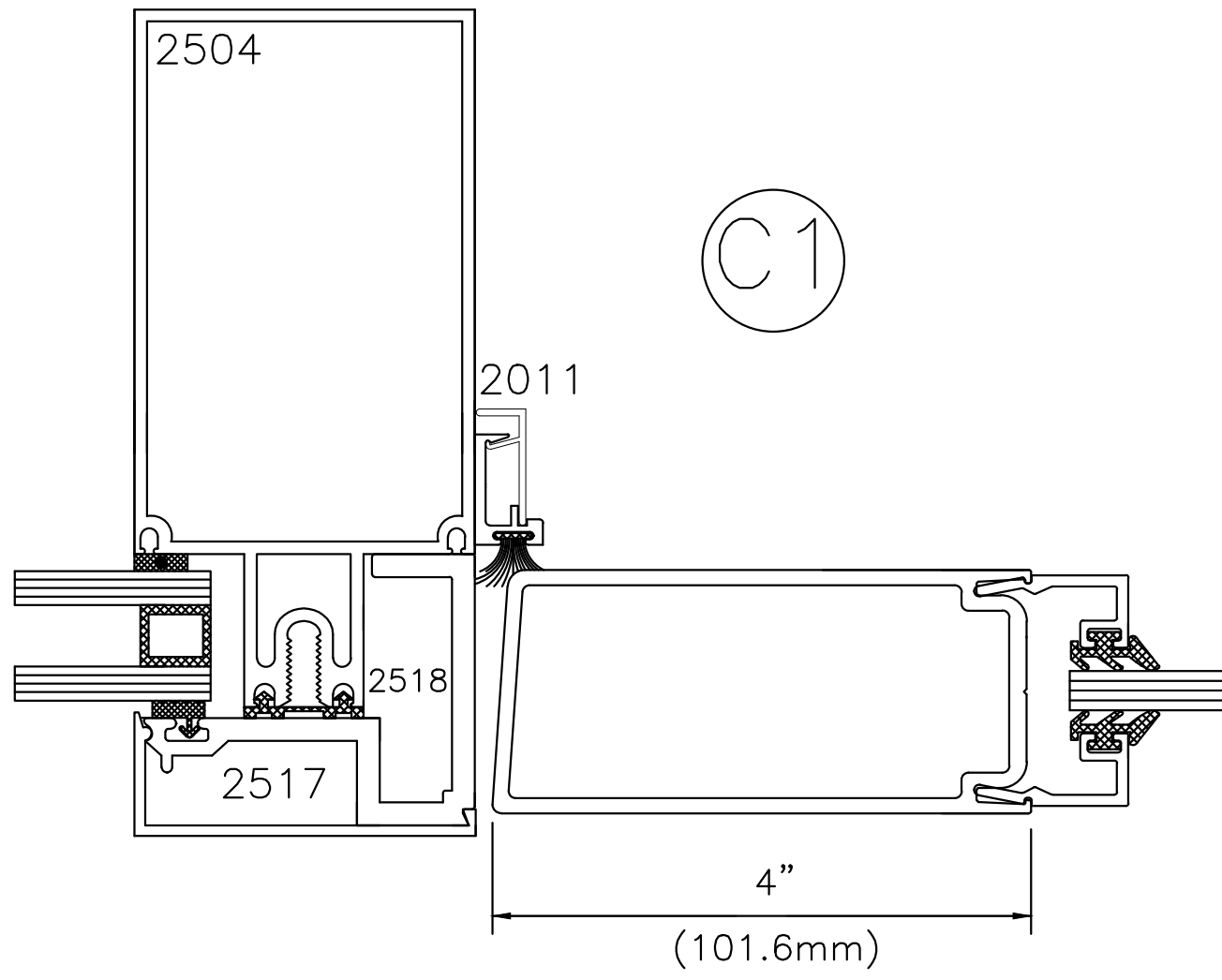
**COMMERCIAL DESIGN  
SYSTEMS INC.**

DATE: AUGUST 2014  
 TEL: (905) 738-0188  
 FAX: (905) 738-6132  
 E-MAIL: CDS2009@BELLNET.CA

PAGE:

B6

# 2500 CURTAIN WALL 400 DOORS



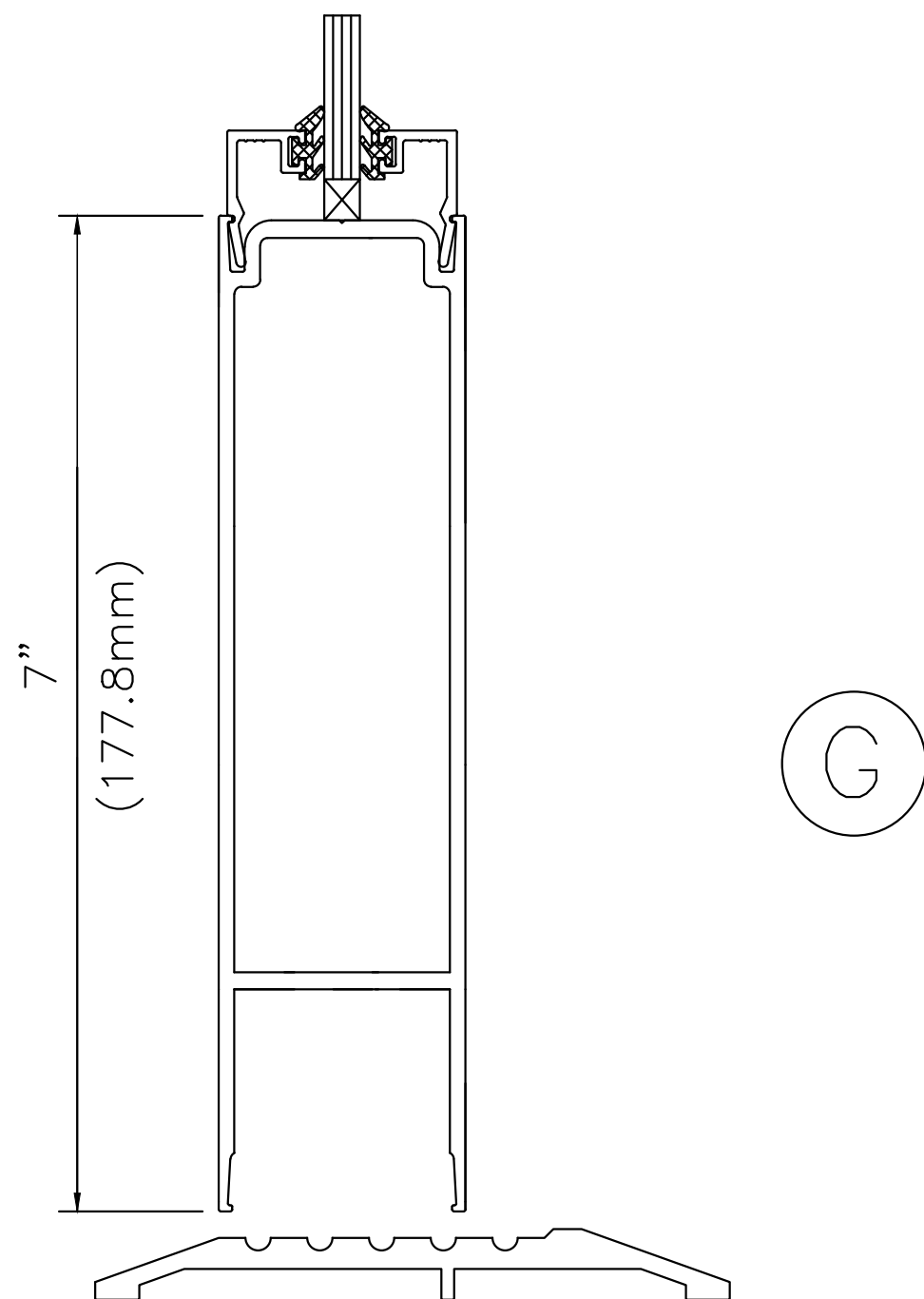
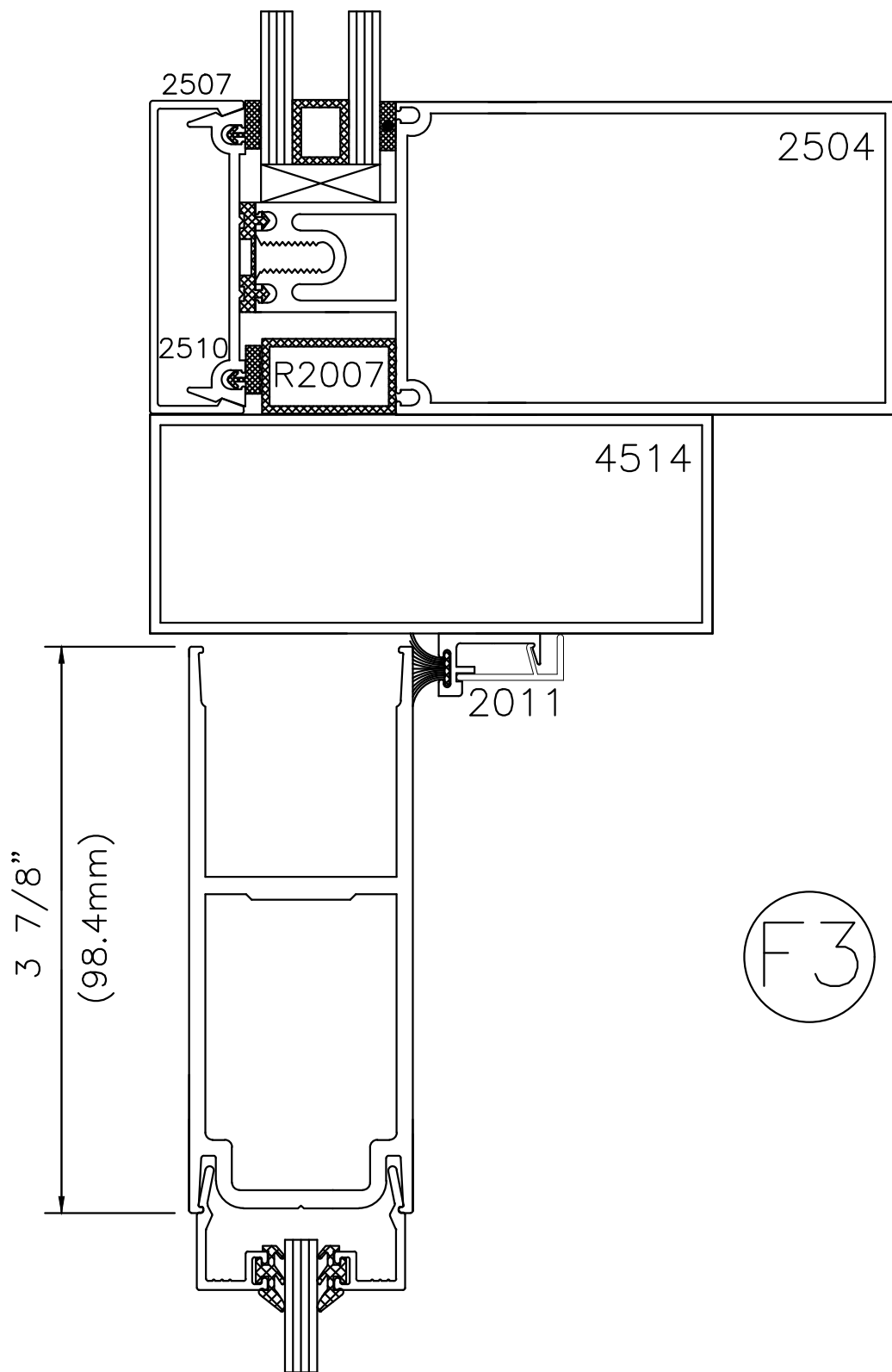
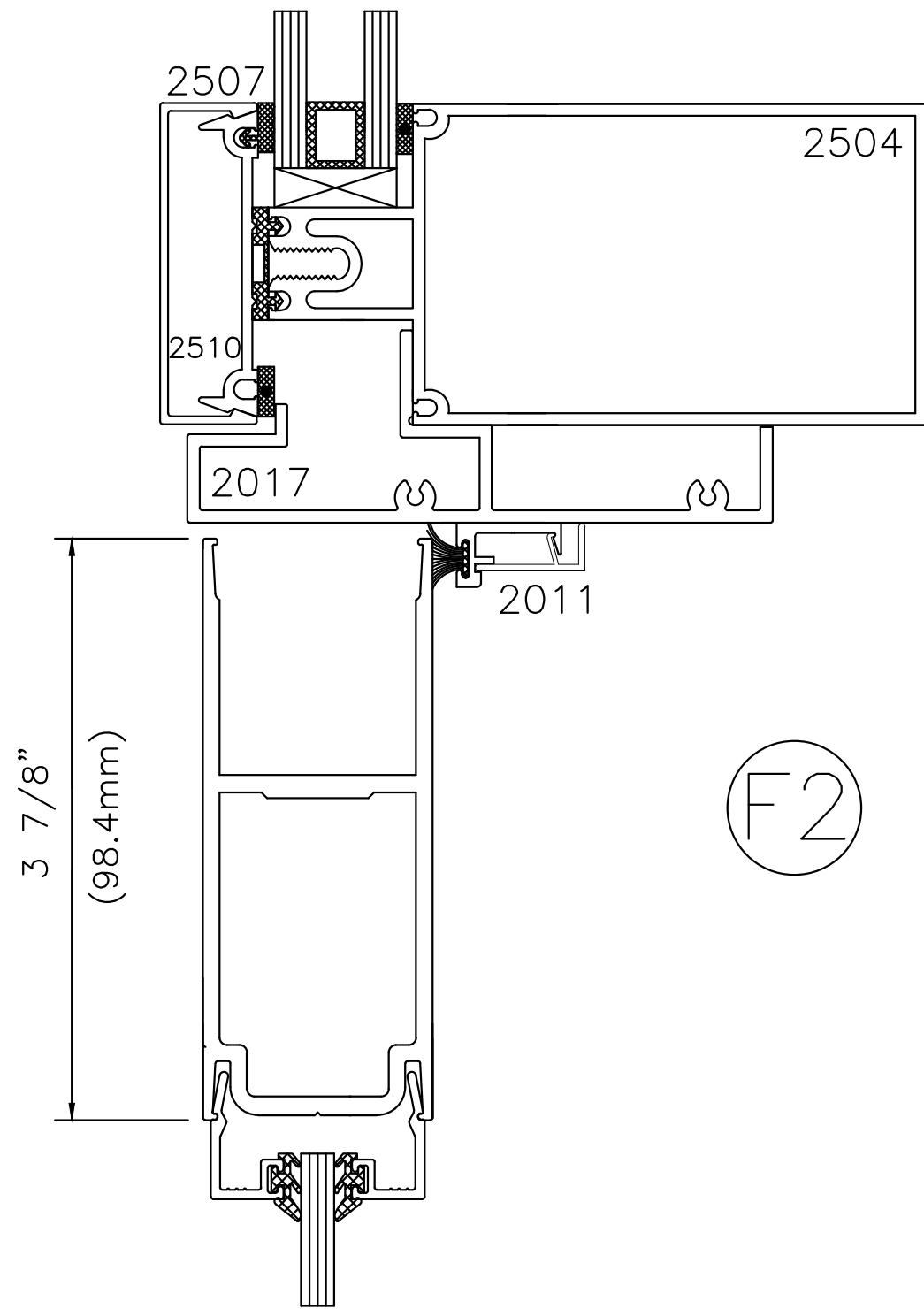
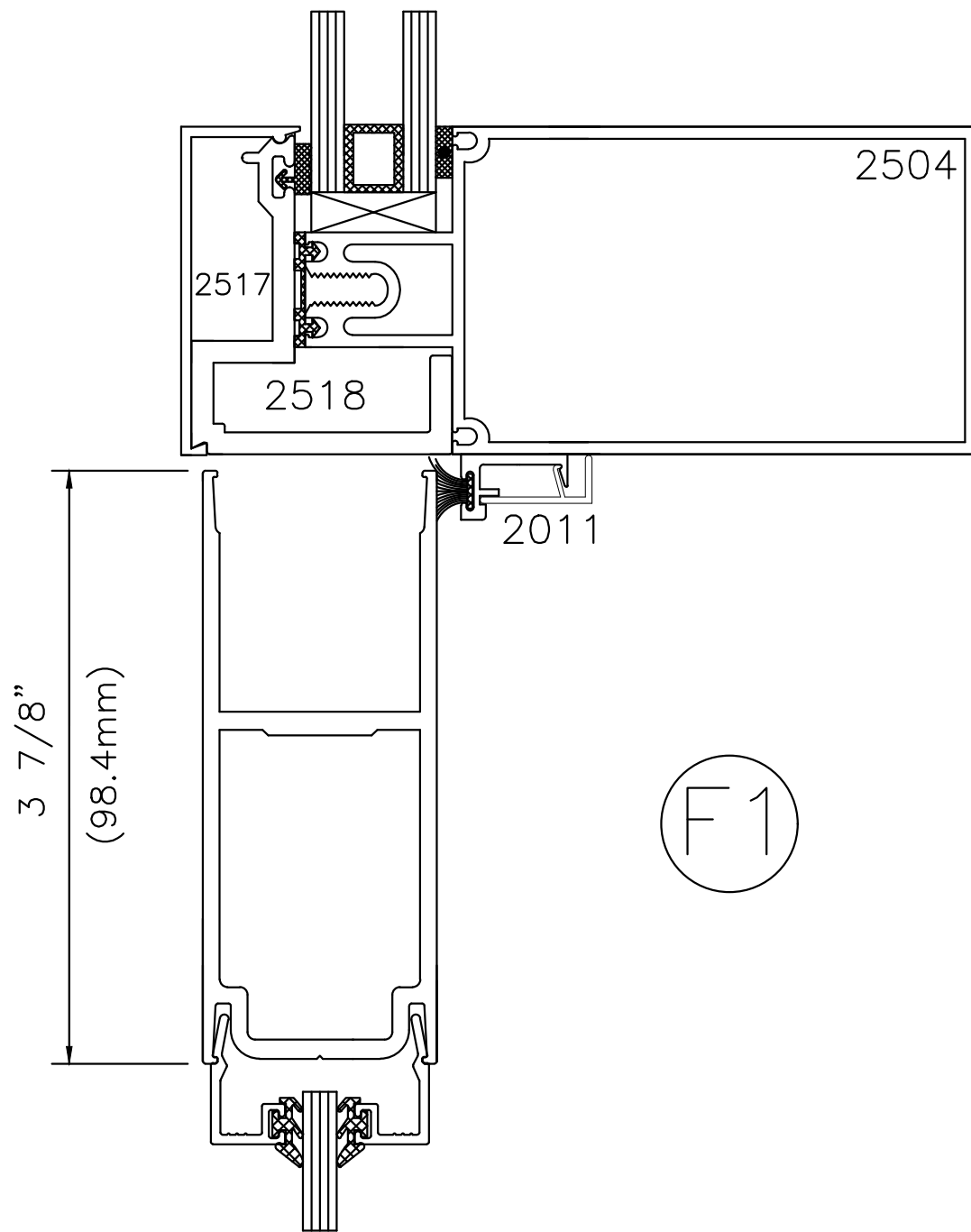
**COMMERCIAL DESIGN  
SYSTEMS INC.**

DATE: AUGUST 2014  
 TEL: (905) 738-0188  
 FAX: (905) 738-6132  
 E-MAIL: CDS2009@BELLNET.CA

PAGE:

B7

# 2500 CURTAIN WALL 400 DOORS



**COMMERCIAL DESIGN  
SYSTEMS INC.**

DATE: AUGUST 2014  
 TEL: (905) 738-0188  
 FAX: (905) 738-6132  
 E-MAIL: CDS2009@BELLNET.CA

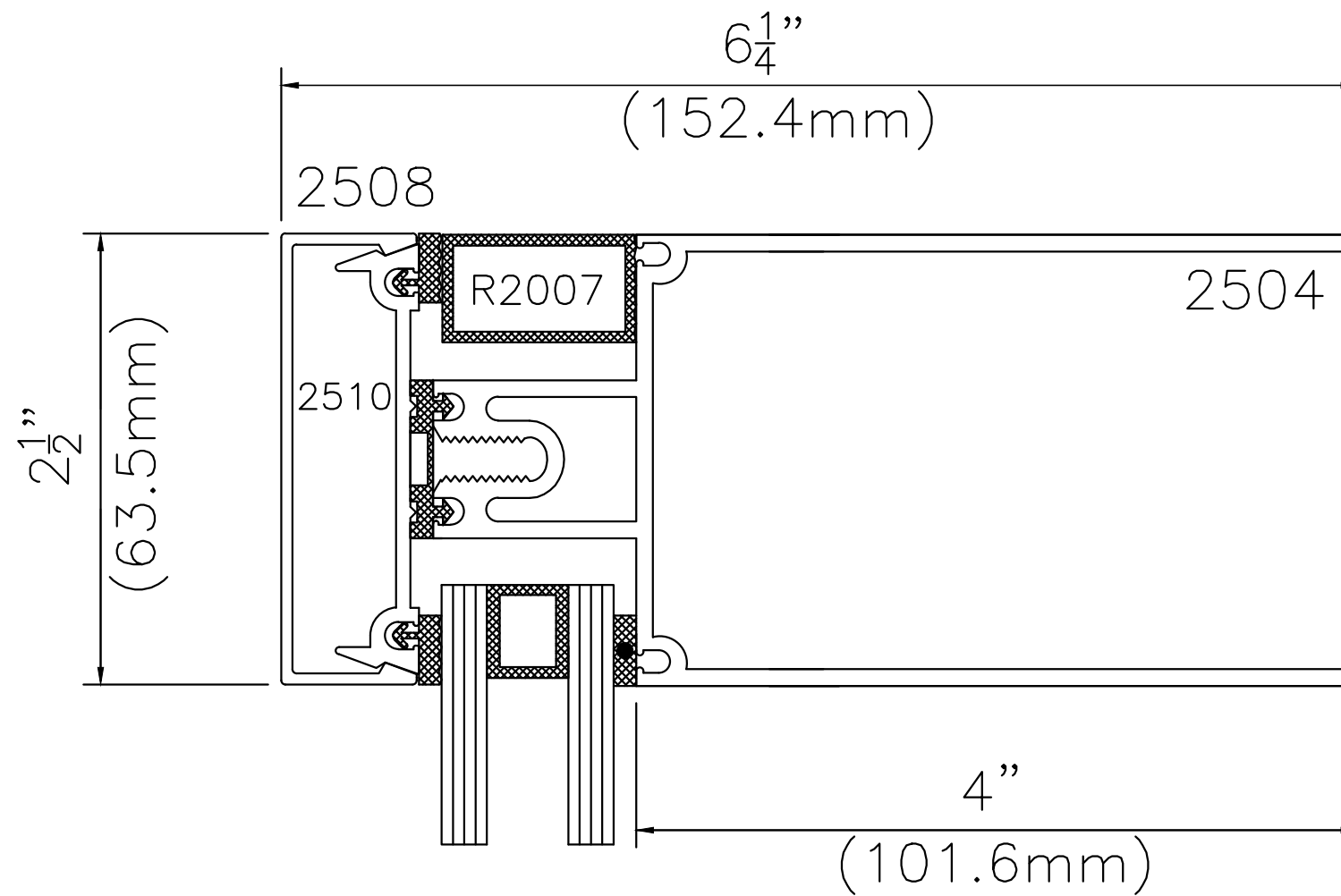
PAGE:

B8

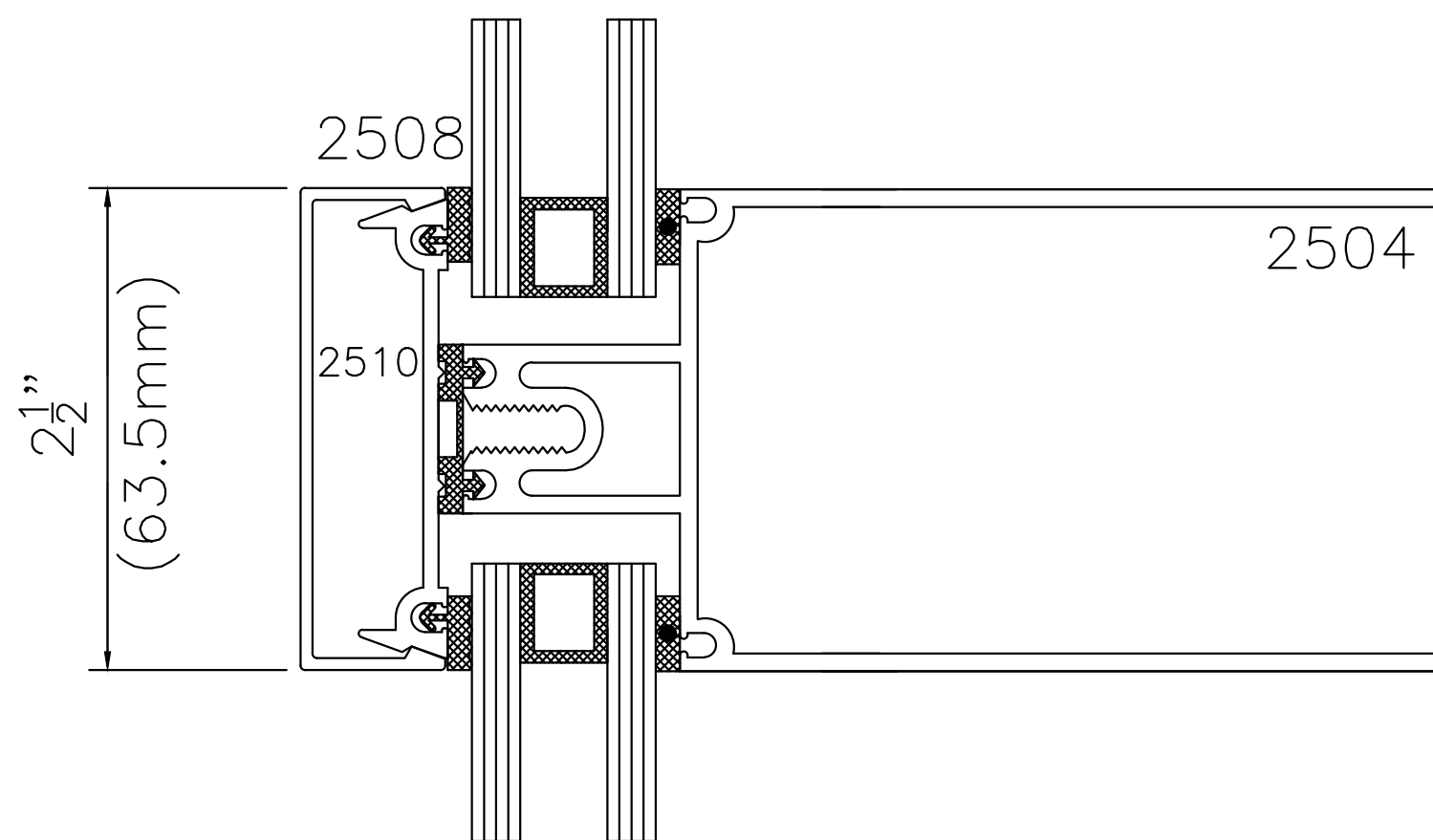


# 2500 CURTAIN WALL WITH SEAL UNIT GLASS

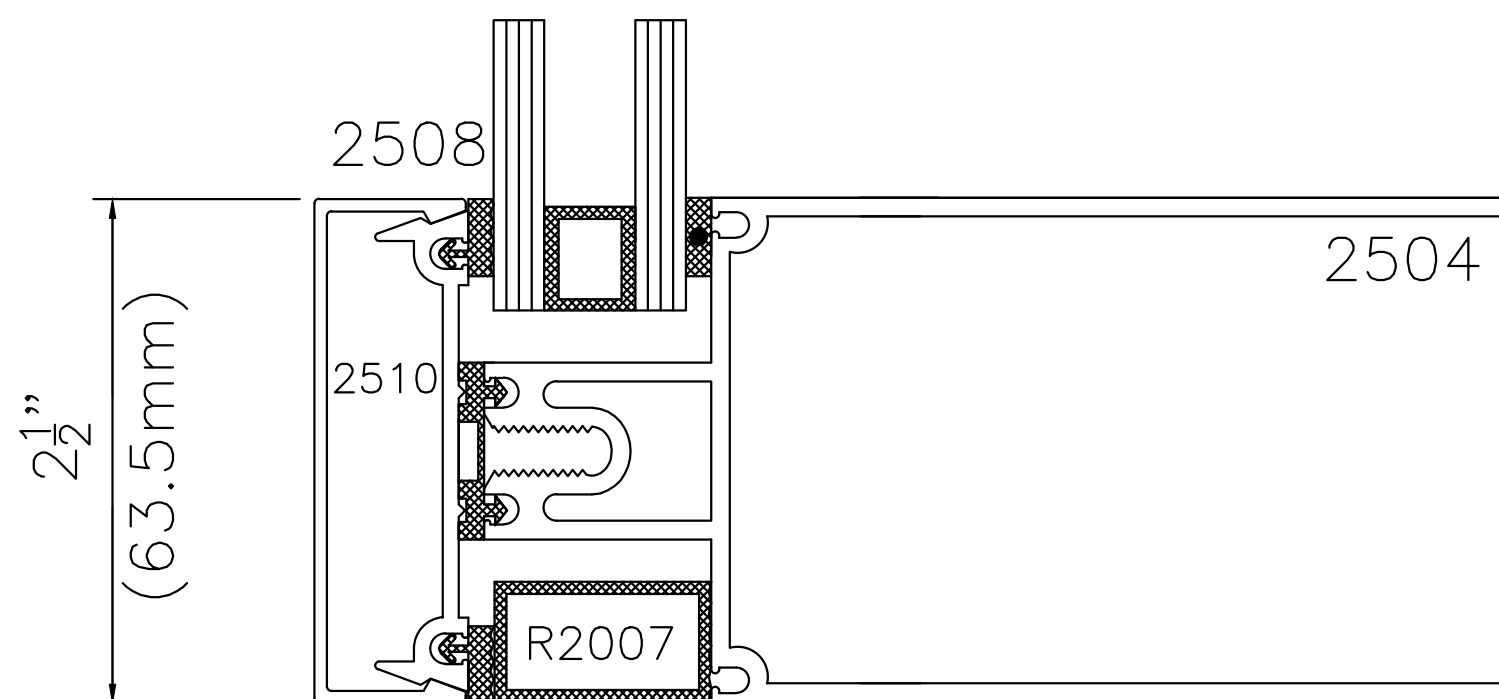
G



H



I



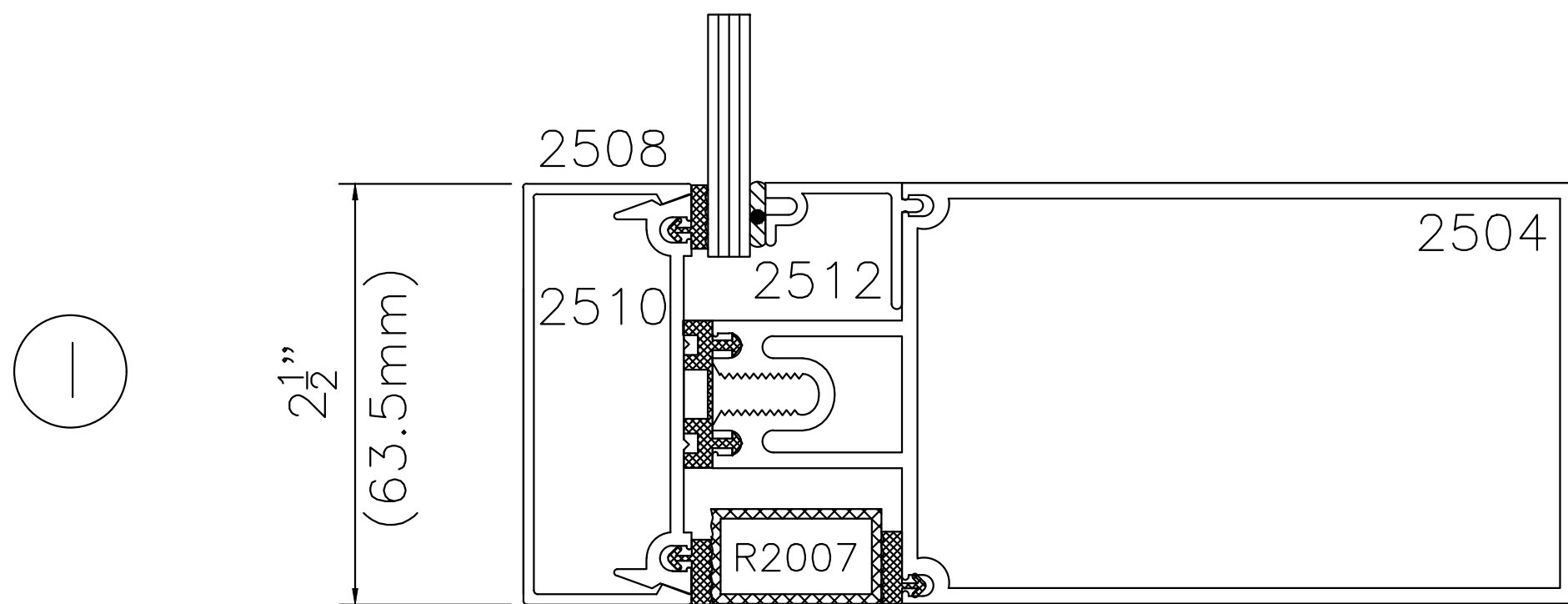
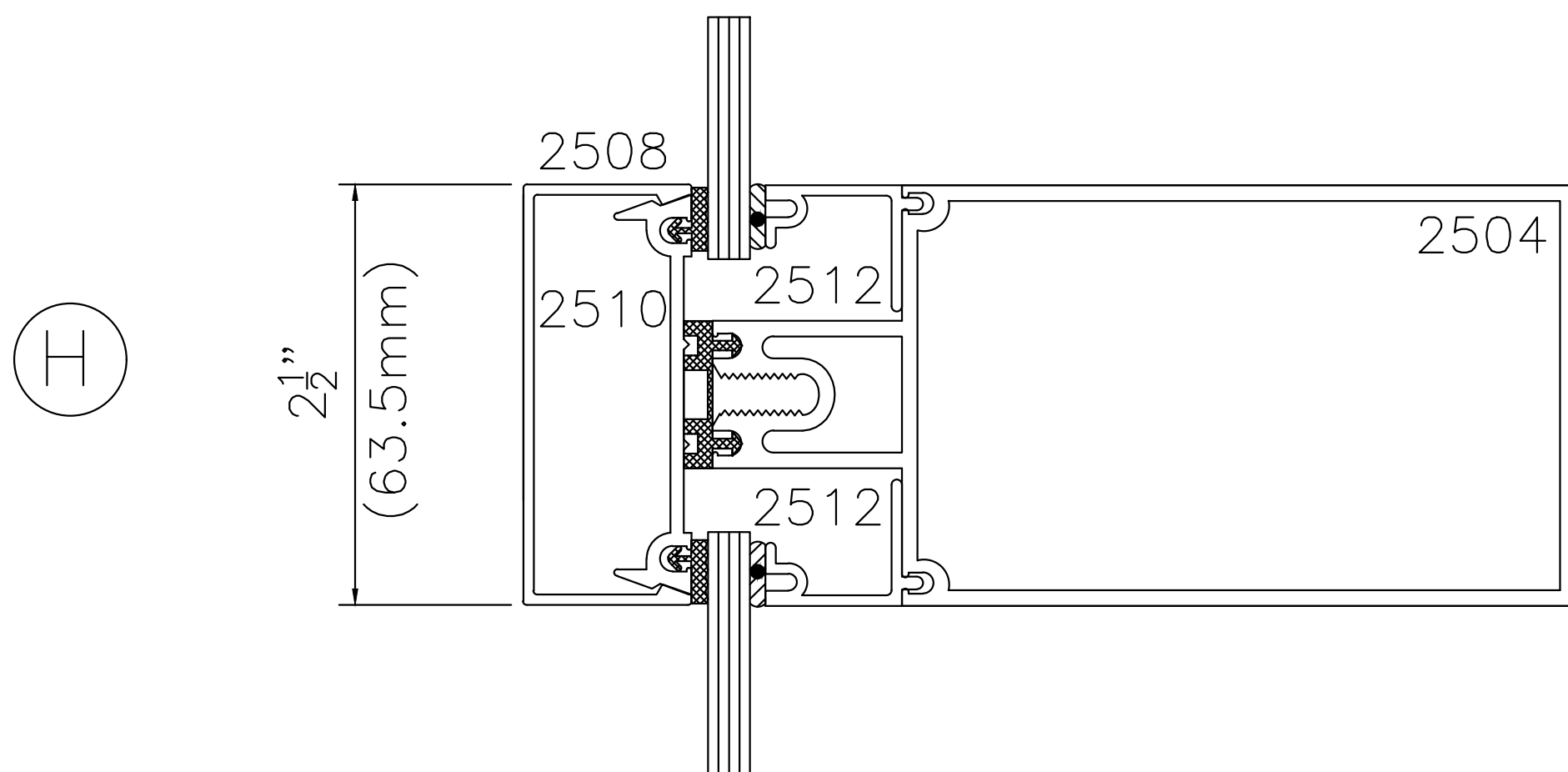
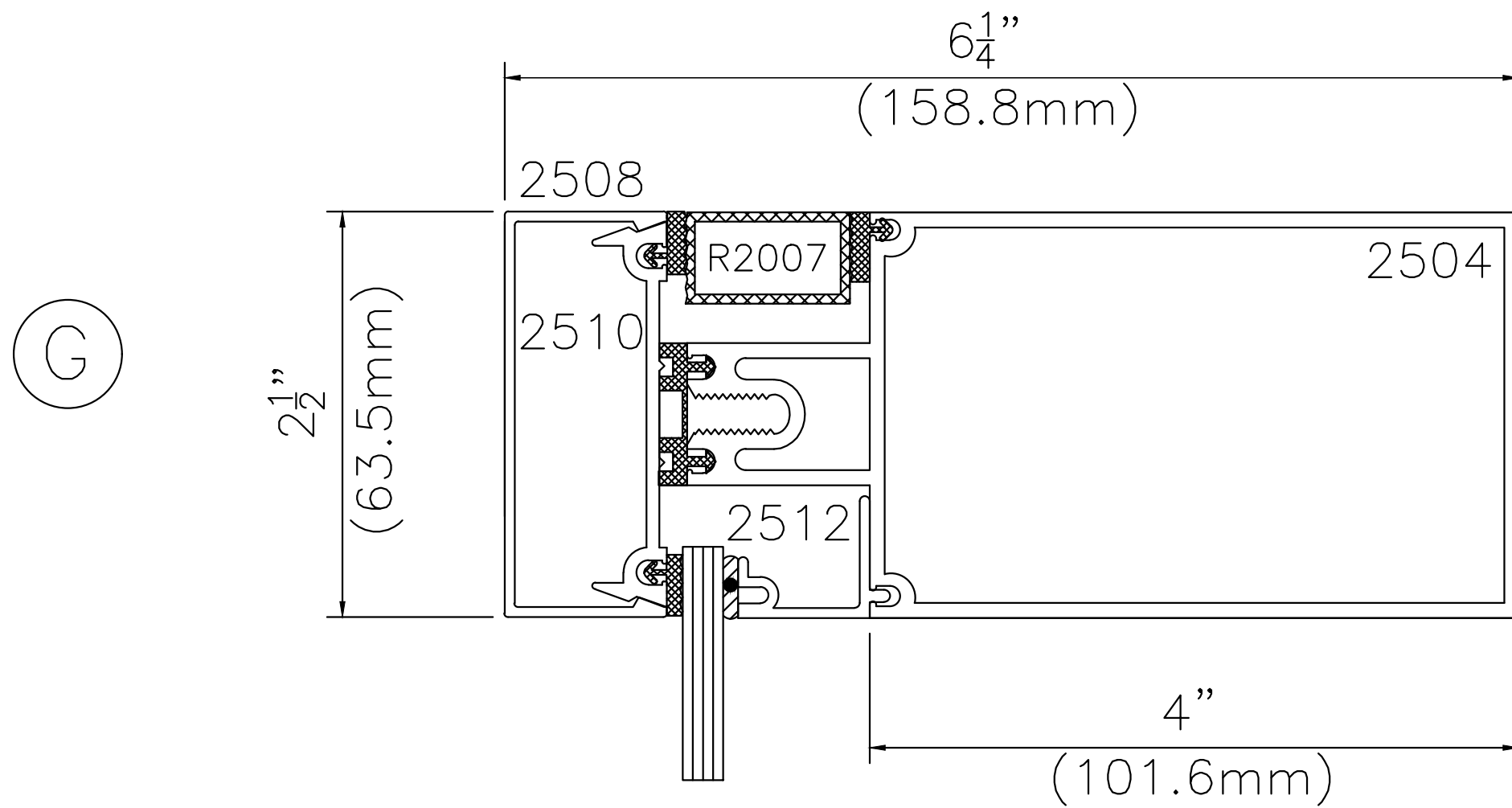
**COMMERCIAL DESIGN  
SYSTEMS INC.**

DATE: AUGUST 2014  
 TEL: (905) 738-0188  
 FAX: (905) 738-6132  
 E-MAIL: CDS2009@BELLNET.CA

PAGE:

B9

# 2500 CURTAIN WALL WITH SINGLE GLAZING ADAPTOR



**COMMERCIAL DESIGN  
SYSTEMS INC.**

DATE: AUGUST 2014  
 TEL: (905) 738-0188  
 FAX: (905) 738-6132  
 E-MAIL: CDS2009@BELLNET.CA

PAGE:

B10