

# CURTAIN WALL INDEX

## SECTION A – 2000 CURTAIN WALL

PAGE–A1	–	2000	SERIES	INFORMATION
PAGE–A2 TO A3	–	2000	SERIES	FRAMING SECTIONS
PAGE–A4 TO A5	–	2000	SERIES	WITH STANDARD DOOR
PAGE–A6	–	2000	SERIES	DETAILS
PAGE–A7 TO A8	–	2000	SERIES	WITH 210 DOORS DETAILS
PAGE–A9	–	2000	SERIES	WITH SEAL UNIT
PAGE–A10	–	2000	SERIES	WITH SINGLE GLAZING

## SECTION B – 2500 CURTAIN WALL

PAGE–B1	–	2500	SERIES	INFORMATION
PAGE–B2 TO B3	–	2500	SERIES	FRAMING SECTIONS
PAGE–B4 TO B5	–	2500	SERIES	WITH STANDARD DOOR
PAGE–B6	–	2500	SERIES	DETAILS
PAGE–B7 TO B8	–	2500	SERIES	WITH 400 DOORS DETAILS
PAGE–B9	–	2500	SERIES	WITH SEAL UNIT
PAGE–B10	–	2500	SERIES	WITH SINGLE GLAZING

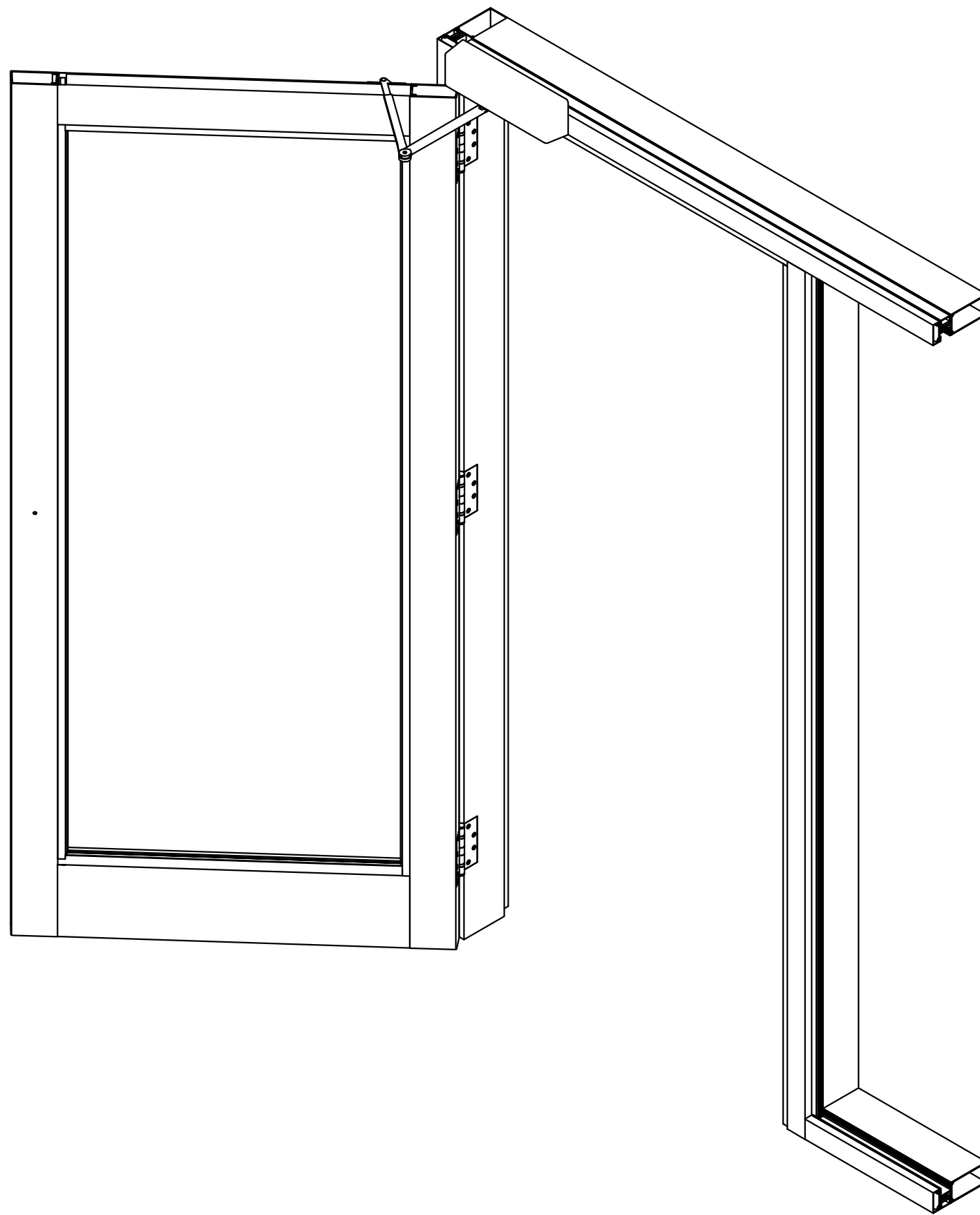


COMMERCIAL DESIGN  
SYSTEMS INC.

DATE: AUGUST 2014  
TEL: (905) 738-0188  
FAX: (905) 738-6132  
E-MAIL: CDS2009@BELLNET.CA

PAGE:

# 2000 CURTAIN WALL INFORMATION



## DESCRIPTION:

IT IS A THERMALLY BROKEN SYSTEM. CURTAIN WALL DIMENSIONS ARE 2" IN WIDTH AND MULTIPLE OPTIONS IN HEIGHT.

## FINISH:

### STOCKED:

CLEAR ANODIZED (#17)  
STANDARD BRONZE (#40)

### NON-STOCKED\*:

CLEAR ANODIZED (#14)  
LIGHT BRONZE (#26)  
BLACK ANODIZED (#29)

\*PAINT FINISHES ARE AVAILABLE UPON REQUEST

## STOCK LENGTH:

24'(7.31M)

## GLAZING:

2000 CURTAIN WALL ACCEPTS 1"(6mm) AND  $\frac{1}{4}$ " (6mm) GLAZING UNITS



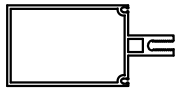


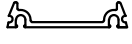
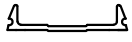
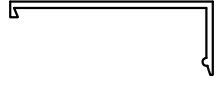
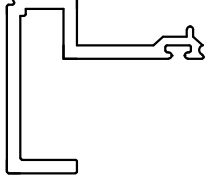
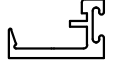
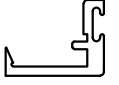

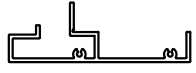
COMMERCIAL DESIGN  
SYSTEMS INC.

DATE: AUGUST 2014  
TEL: (905) 738-0188  
FAX: (905) 738-6132  
E-MAIL: CDS2009@BELLNET.CA

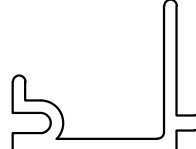

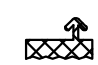
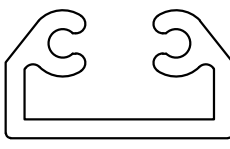
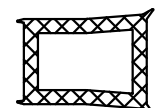
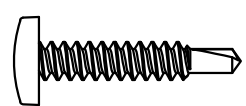
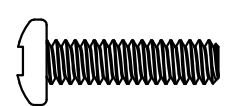
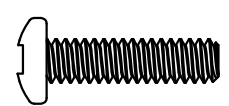

PAGE:

A1

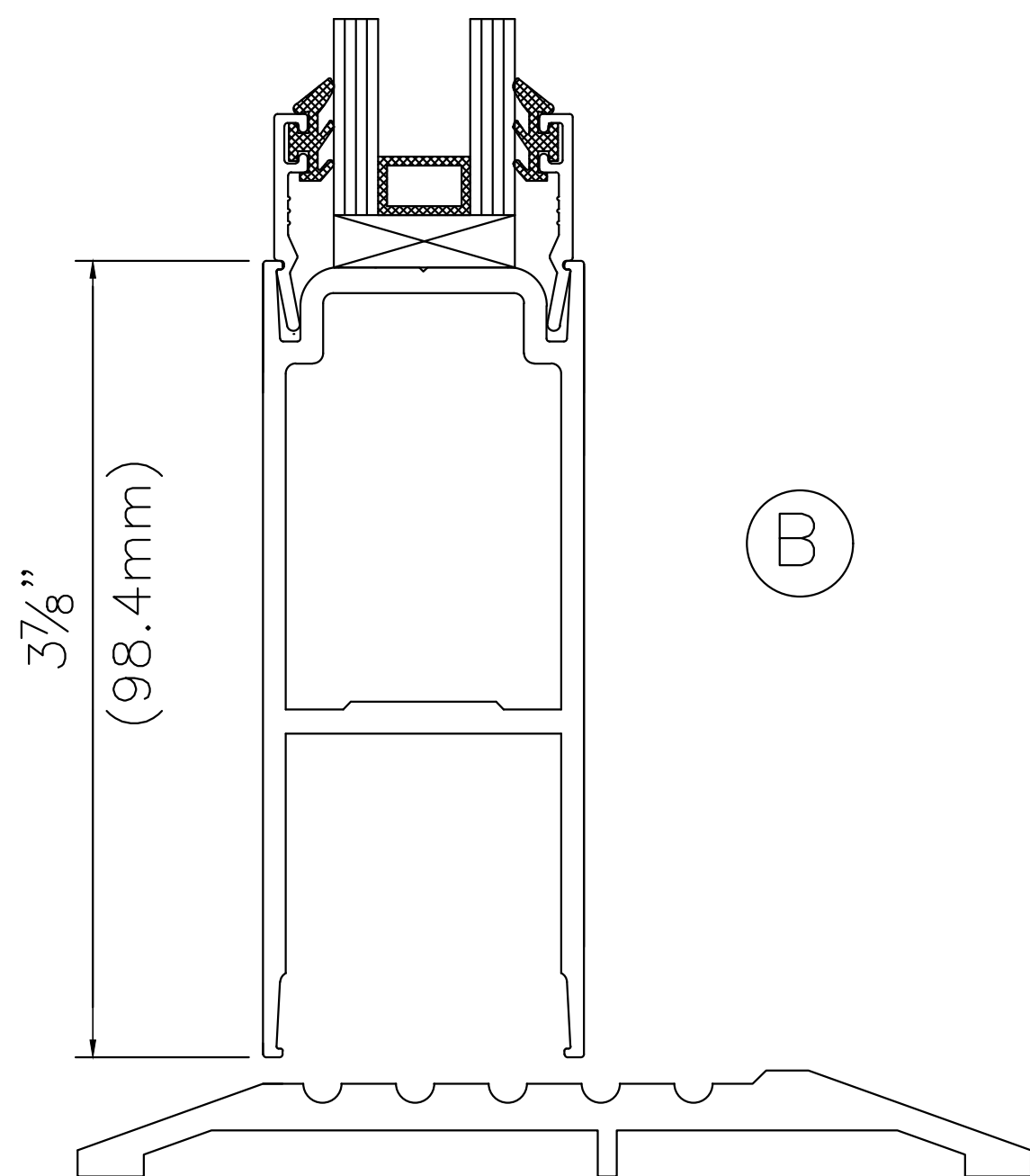
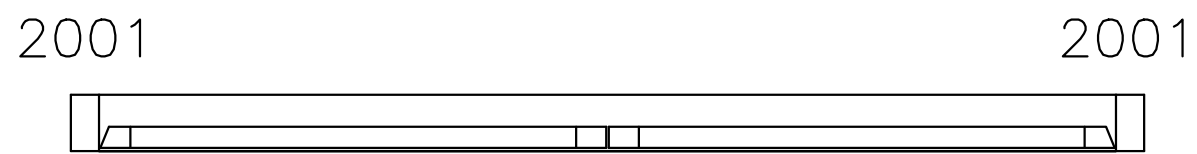
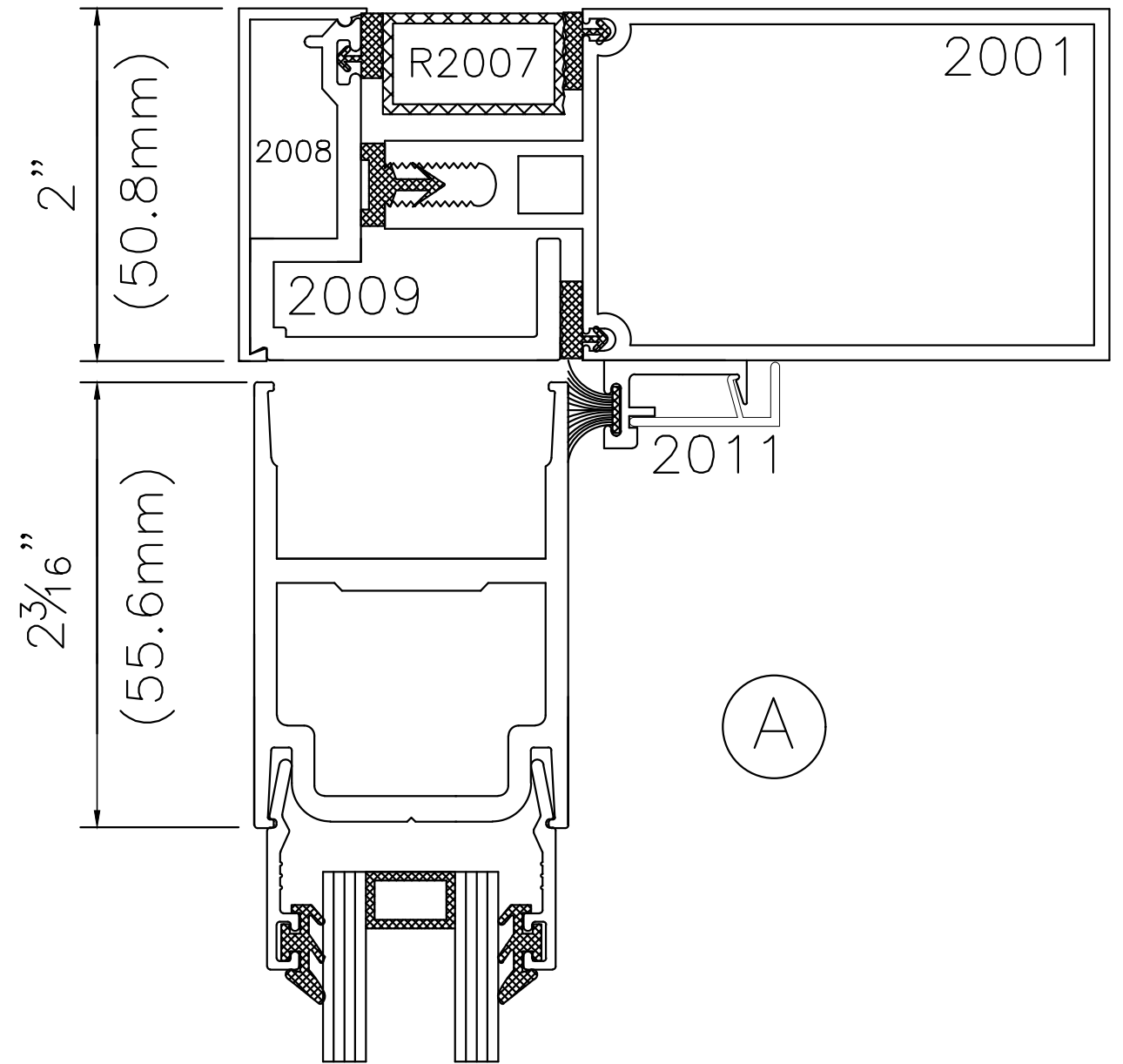
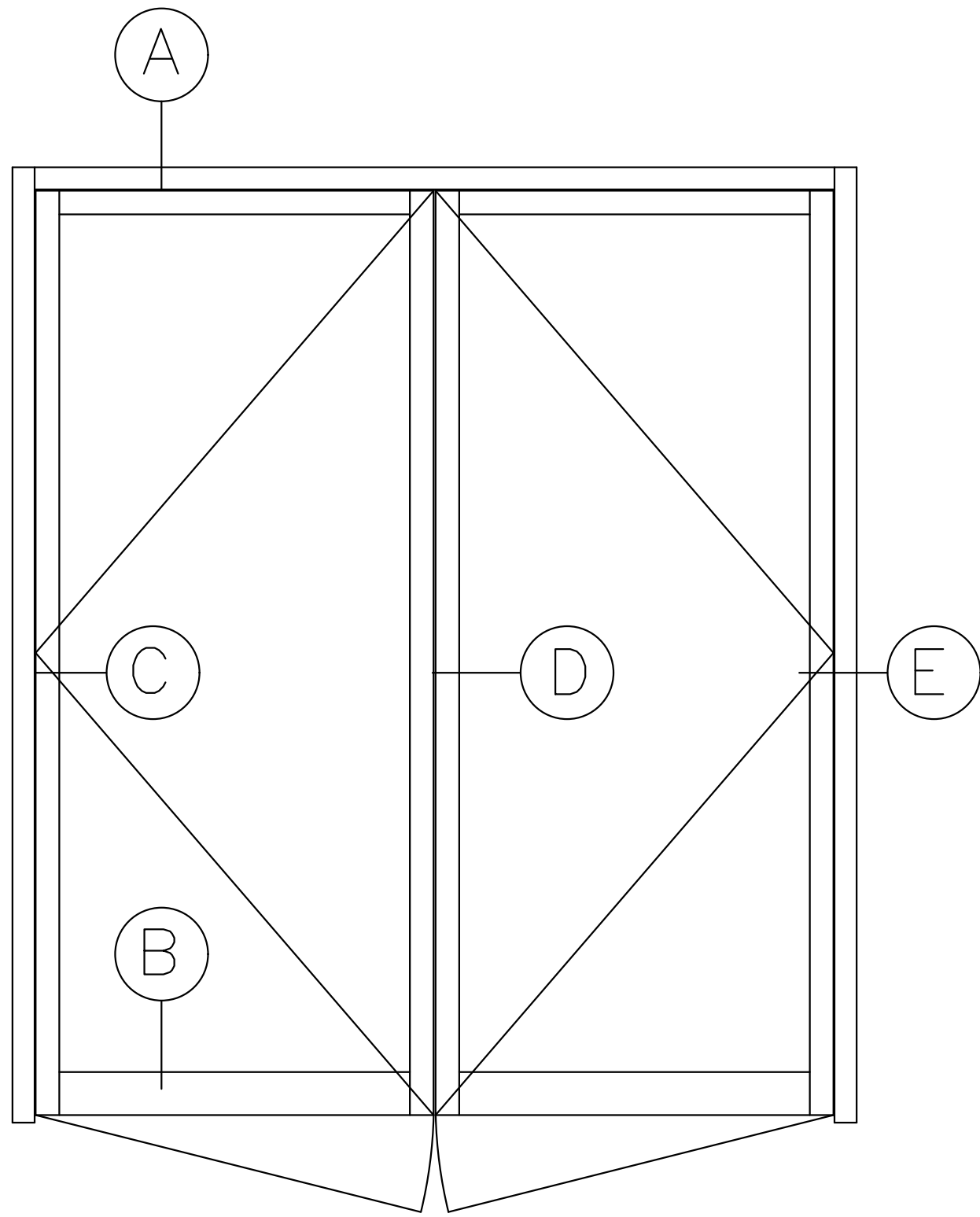
# 2000 SERIES CURTAIN WALL

PART	PART NO	DESCRIPTION	FINISH
	2001	MULLION 2" X 3" (50.8mm x 76.2mm) 24' (7.3M)	STOCKED CLEAR ANODIZED(2) STANDARD BRONZED ANODIZED(3)
			NOT STOCKED LIGHT BRONZED ANODIZED(5) BLACK ANODIZED(6)
	2002	MULLION 2" X 4" (50.8mm x 101.6mm) 24' (7.3M)	STOCKED CLEAR ANODIZED(2) STANDARD BRONZED ANODIZED(3)
			NOT STOCKED LIGHT BRONZED ANODIZED(5) BLACK ANODIZED(6)
	2004	SNAP ON CAP 2" X 3/4"	STOCKED CLEAR ANODIZED(2) STANDARD BRONZED ANODIZED(3)
			NOT STOCKED LIGHT BRONZED ANODIZED(5) BLACK ANODIZED(6)
	2006	2" DRY SEAL PRESSURE PLATE	STOCKED CLEAR ANODIZED(2) STANDARD BRONZED ANODIZED(3)
			NOT STOCKED LIGHT BRONZED ANODIZED(5) BLACK ANODIZED(6)
	2007	2" WETGLAZE PRESSURE PLATE	STOCKED CLEAR ANODIZED(2) STANDARD BRONZED ANODIZED(3)
			NOT STOCKED LIGHT BRONZED ANODIZED(5) BLACK ANODIZED(6)
	2008	FLUSH DOOR ADAPTOR CAP	STOCKED CLEAR ANODIZED(2) STANDARD BRONZED ANODIZED(3)
			NOT STOCKED LIGHT BRONZED ANODIZED(5) BLACK ANODIZED(6)
	2009	FLUSH DOOR ADAPTOR BASE	STOCKED CLEAR ANODIZED(2) STANDARD BRONZED ANODIZED(3)
			NOT STOCKED LIGHT BRONZED ANODIZED(5) BLACK ANODIZED(6)
	2011	2 PIECE DOOR STOP 1/2" X 3/16" BASE	STOCKED CLEAR ANODIZED(2) STANDARD BRONZED ANODIZED(3)
			NOT STOCKED LIGHT BRONZED ANODIZED(5) BLACK ANODIZED(6)
	2012	2 PIECE DOOR STOP 5/8" X 3/16" BASE	STOCKED CLEAR ANODIZED(2) STANDARD BRONZED ANODIZED(3)
			NOT STOCKED LIGHT BRONZED ANODIZED(5) BLACK ANODIZED(6)
	2013	COVER FOR 2 PIECE DOOR STOP 1/2" X 5/8"	STOCKED CLEAR ANODIZED(2) STANDARD BRONZED ANODIZED(3)
			NOT STOCKED LIGHT BRONZED ANODIZED(5) BLACK ANODIZED(6)
	2017	DOOR ADAPTOR	STOCKED CLEAR ANODIZED(2) STANDARD BRONZED ANODIZED(3)
			NOT STOCKED LIGHT BRONZED ANODIZED(5) BLACK ANODIZED(6)

# 2000 SERIES CURTAIN WALL

PART	PART NO	DESCRIPTION	FINISH
	2512	SINGLE GLAZING CURTAIN WALL ADAPTOR $\frac{1}{4}$ "	STOCKED CLEAR ANNOIDIZED(2) STANDARD BRONZED ANNOIDIZED(3)
			NOT STOCKED LIGHT BRONZED ANNOIDIZED(5) BLACK ANNOIDIZED(6)
	R2007	POCKET FILLER $\frac{3}{4}$ " X $1 \frac{1}{8}$ "	
	R2503	PRESSURE PLATE GASKET	
	H2001	SPIGOT FOR 2" X 3" CURTAIN WALL	
	H2002	SPIGOT FOR 2" X 4" CURTAIN WALL	
	H2005	CORNER PLUG	
	H2514	$\#20$ X $\frac{1}{8}$ " X $\frac{3}{4}$ " TAPPING SCREW	
	H2515	$\#20$ X $\frac{1}{4}$ " X $\frac{3}{4}$ " MACHINE SCREW	
	H2515 -S	$\#20$ X $\frac{1}{4}$ " X $\frac{3}{4}$ " S.S MACHINE SCREW	
	H2516	$\#10-24$ X $1 \frac{1}{4}$ " FLAT HEAD SCREWS	

# 2000 SERIES CURTAIN WALL (2"X3") WITH STANDARD DOOR



**COMMERCIAL DESIGN  
SYSTEMS INC.**

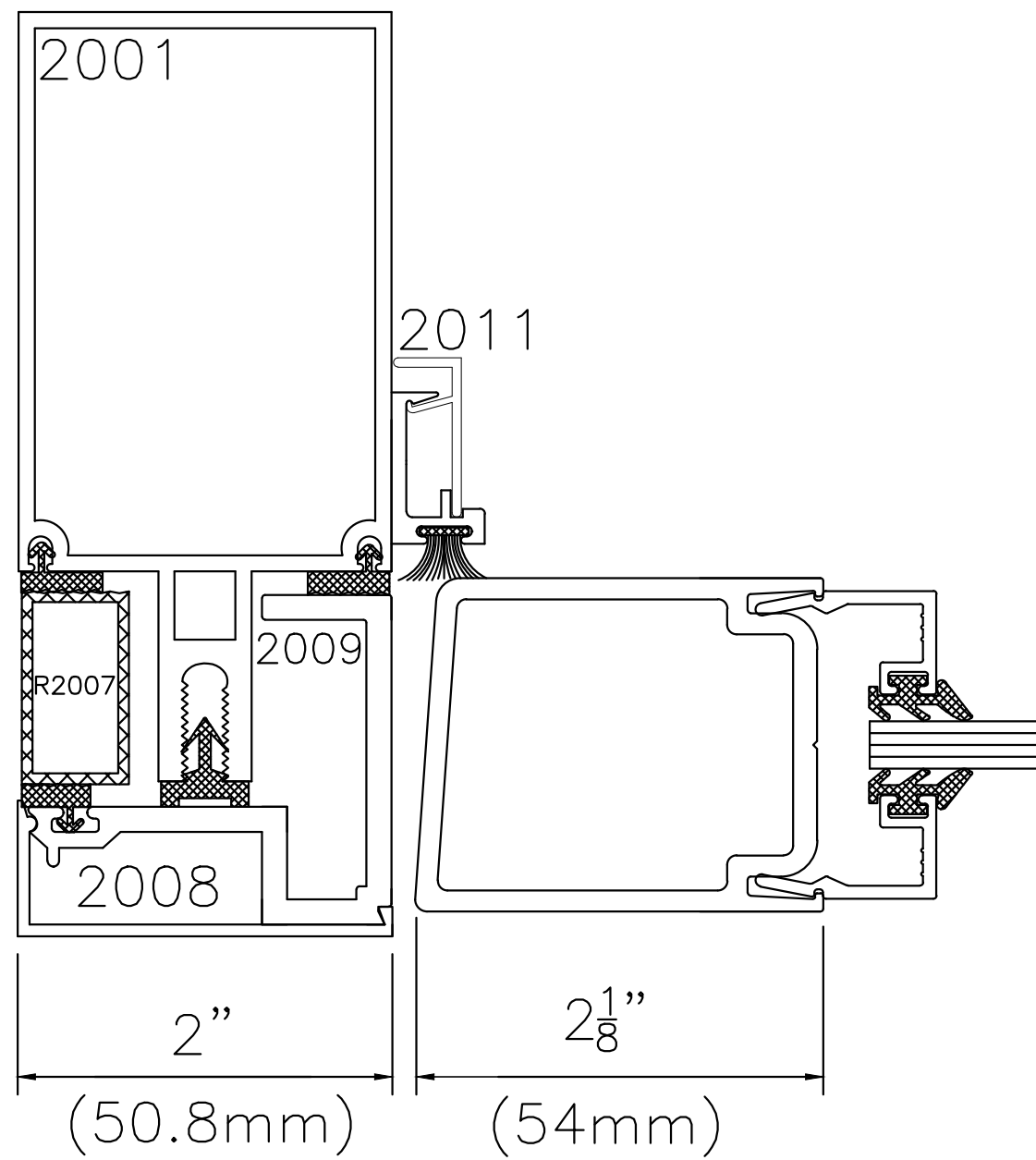
DATE: AUGUST 2014  
 TEL: (905) 738-0188  
 FAX: (905) 738-6132  
 E-MAIL: CDS2009@BELLNET.CA

PAGE:

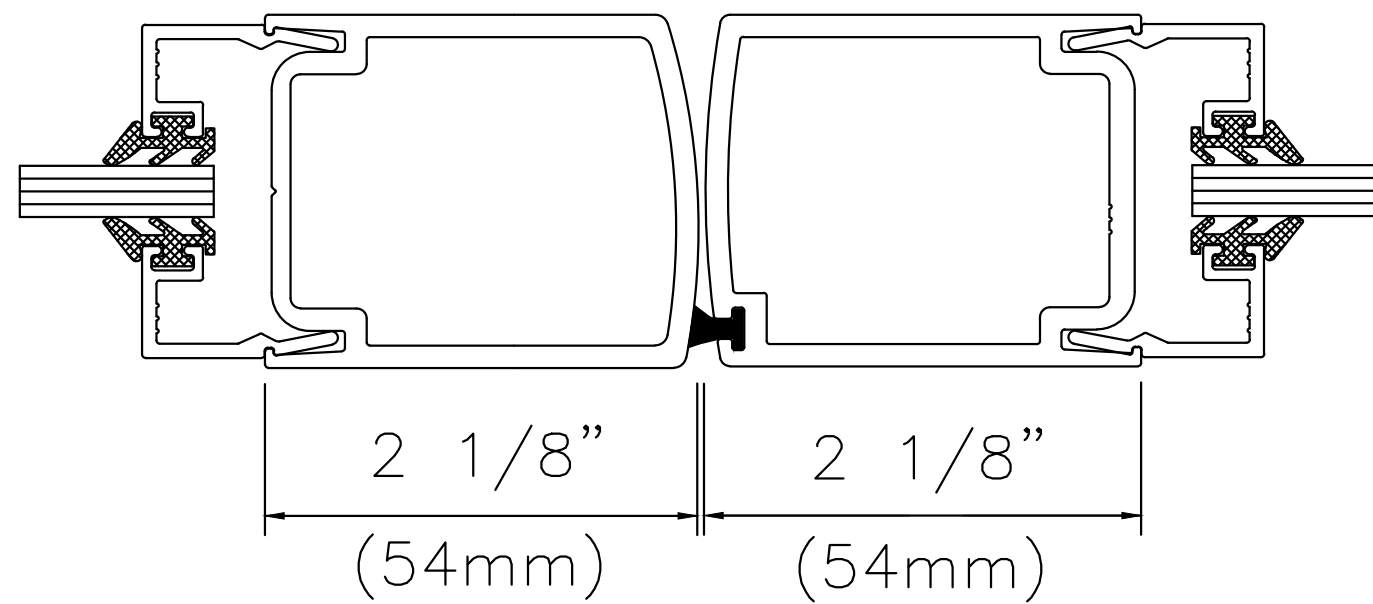
A4

# 2000 SERIES CURTAIN WALL (2"X3") WITH STANDARD DOOR

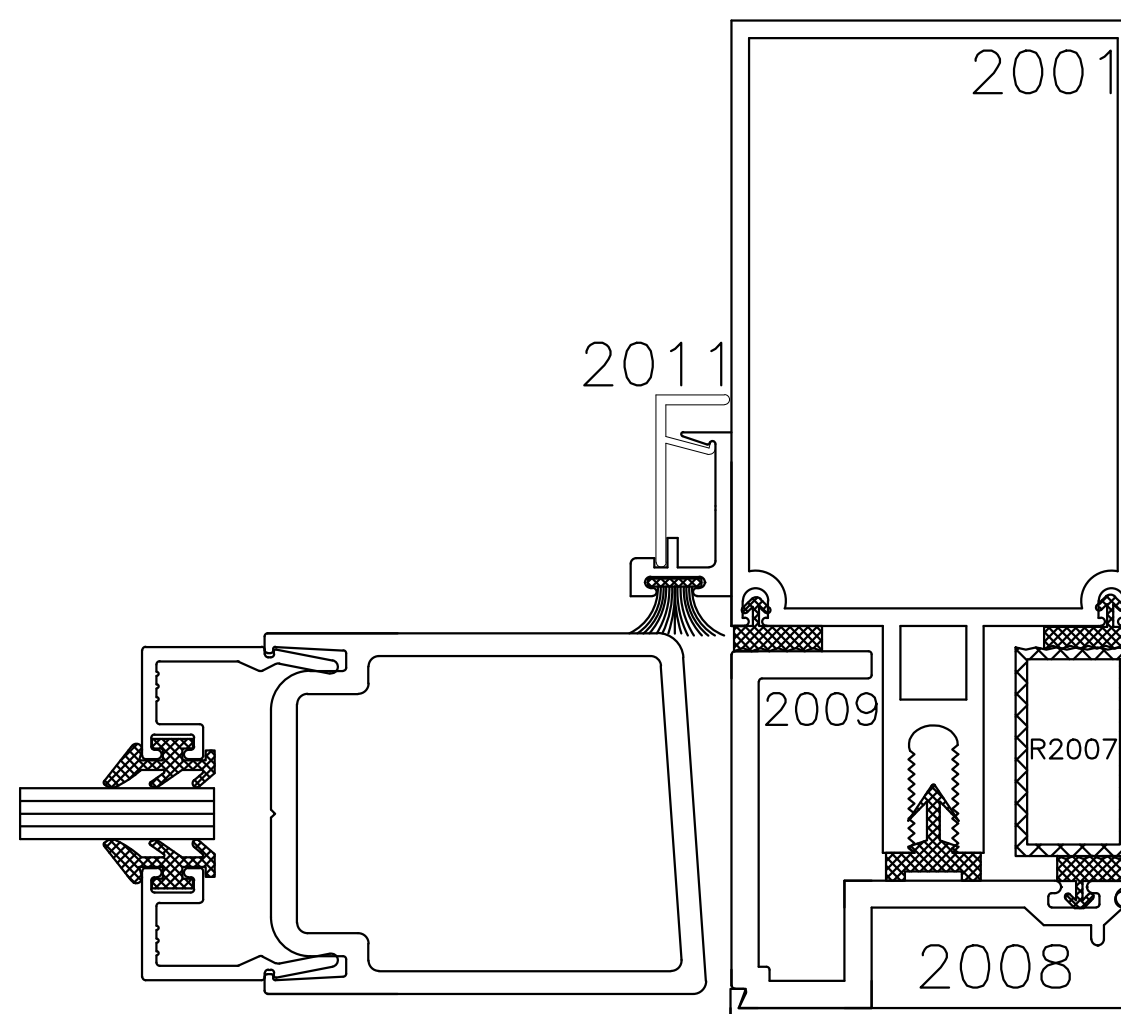
(C)



(D)



(E)



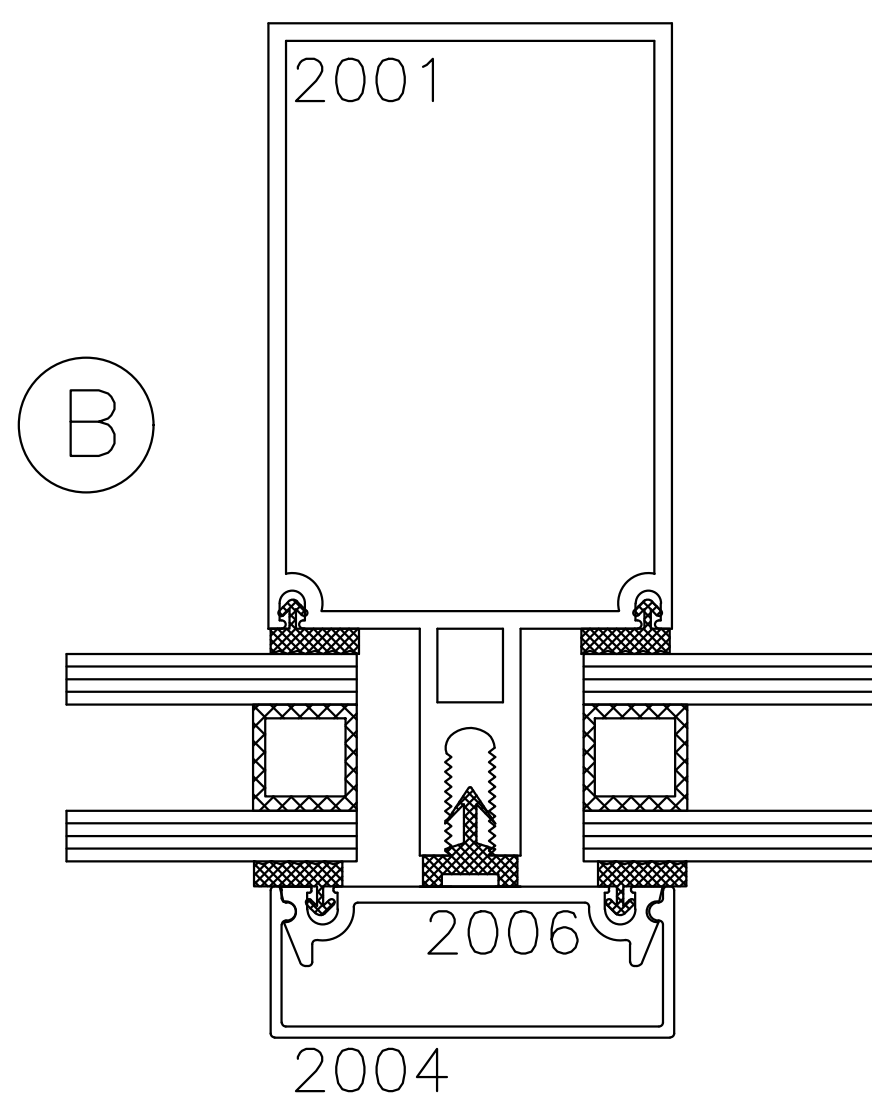
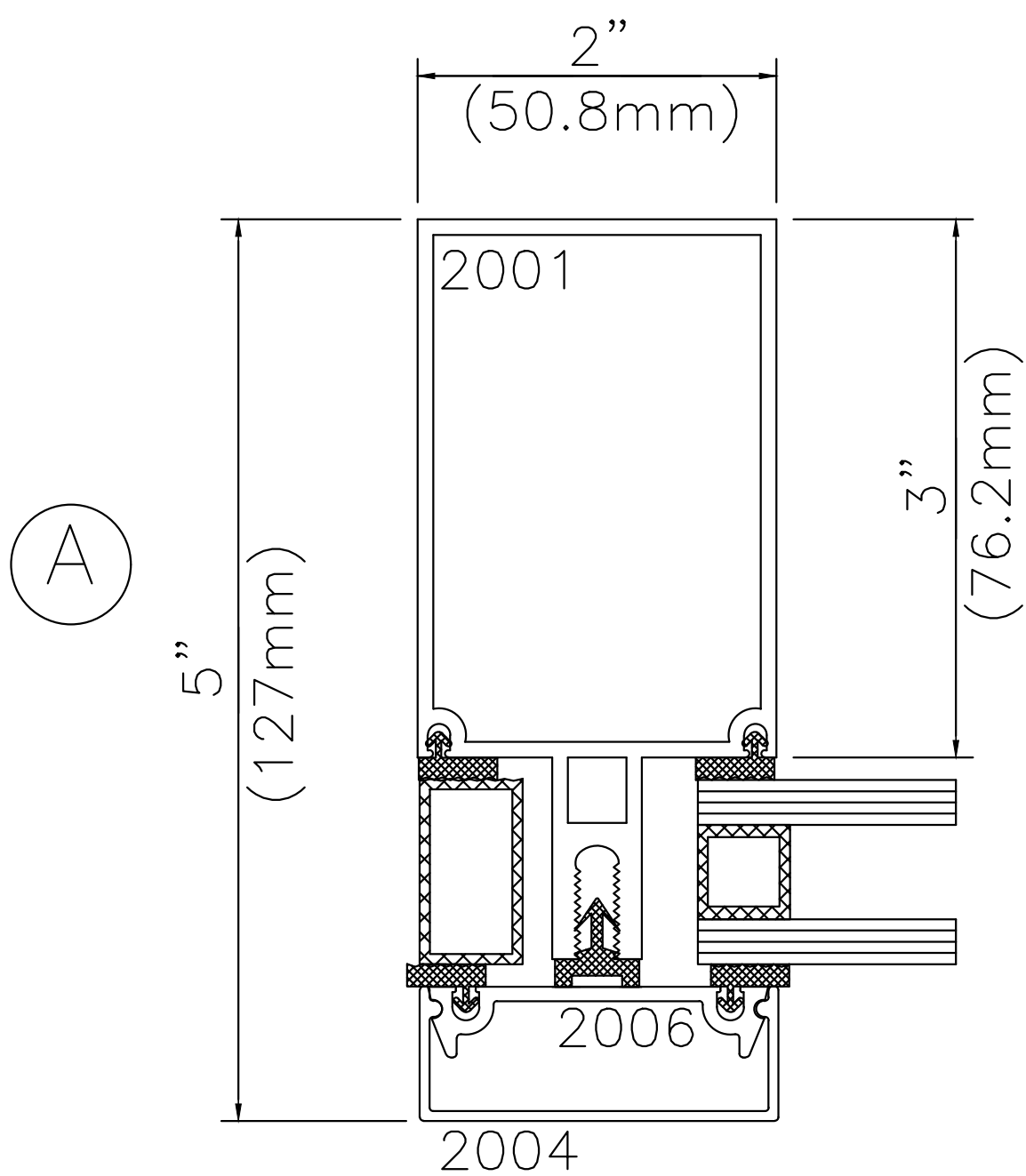
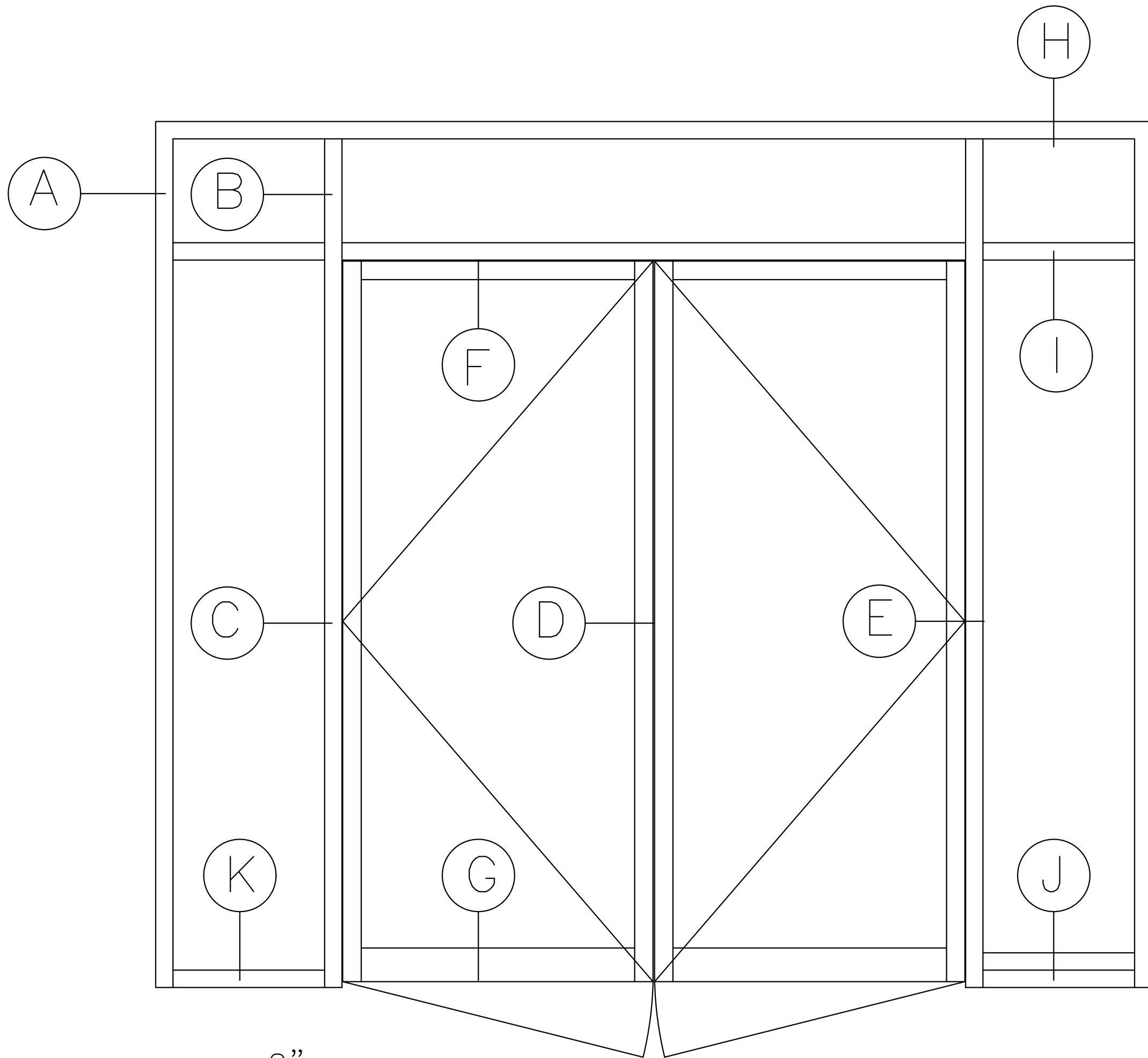
**COMMERCIAL DESIGN  
SYSTEMS INC.**

DATE: AUGUST 2014  
 TEL: (905) 738-0188  
 FAX: (905) 738-6132  
 E-MAIL: CDS2009@BELLNET.CA

PAGE:

A5

# 2000 SERIES CURTAIN WALL



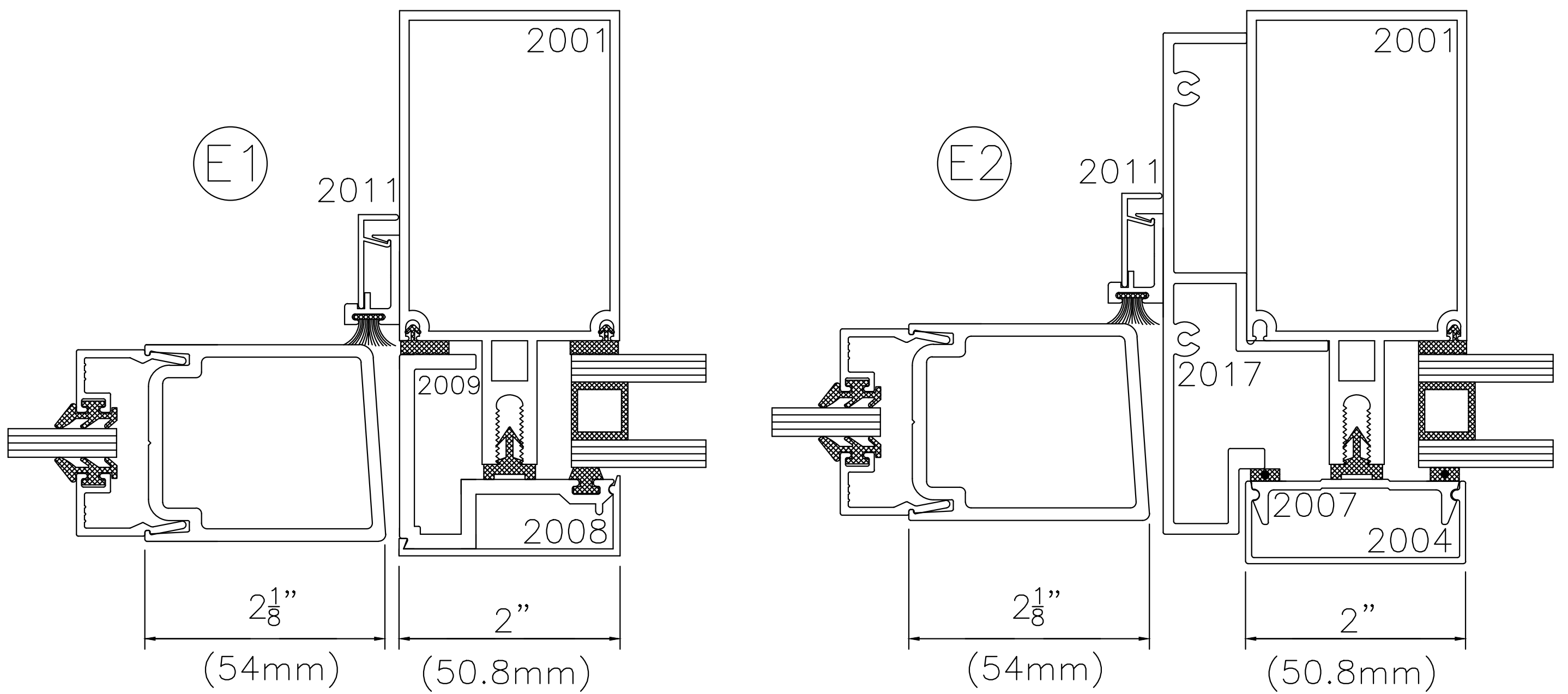
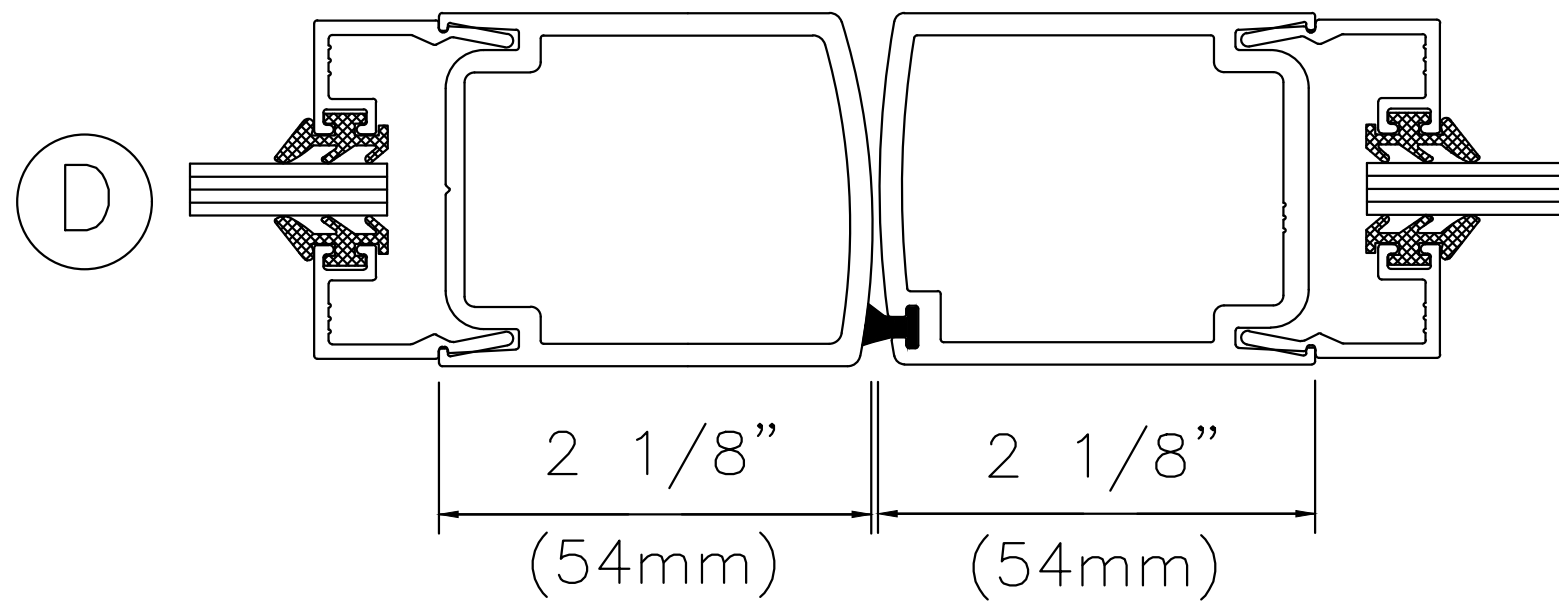
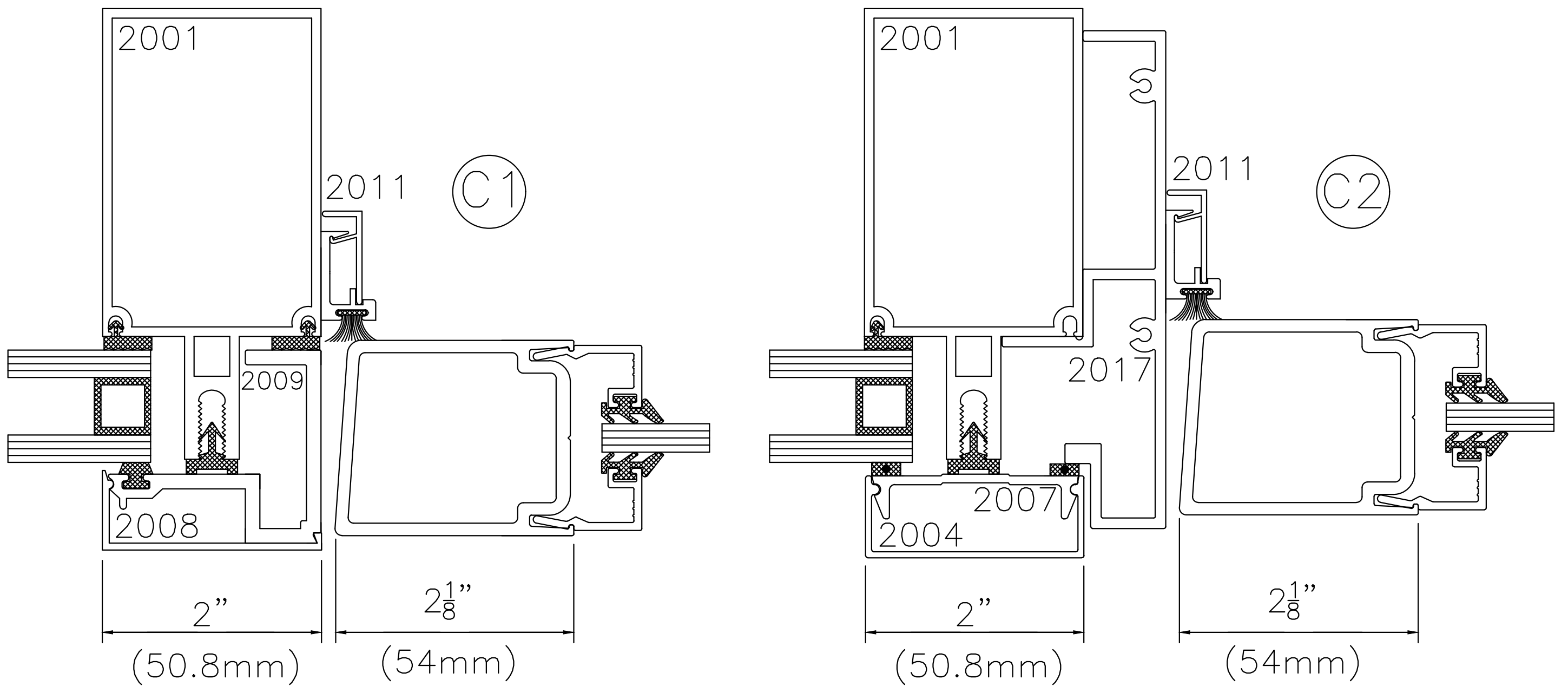
**COMMERCIAL DESIGN  
SYSTEMS INC.**

DATE: AUGUST 2014  
 TEL: (905) 738-0188  
 FAX: (905) 738-6132  
 E-MAIL: CDS2009@BELLNET.CA

PAGE:

A6

# 2000 CURTAIN WALL 210 DOORS



**COMMERCIAL DESIGN  
SYSTEMS INC.**

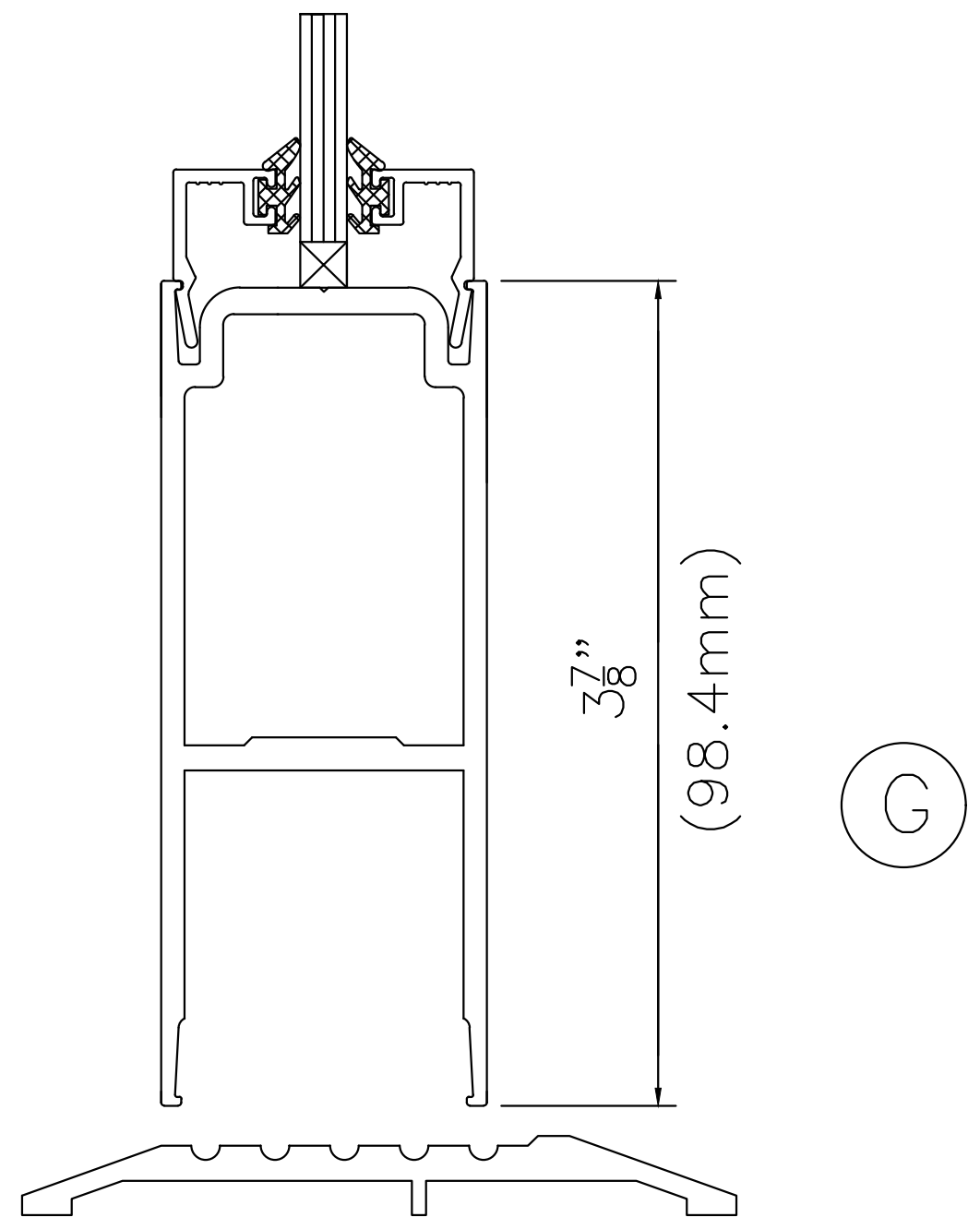
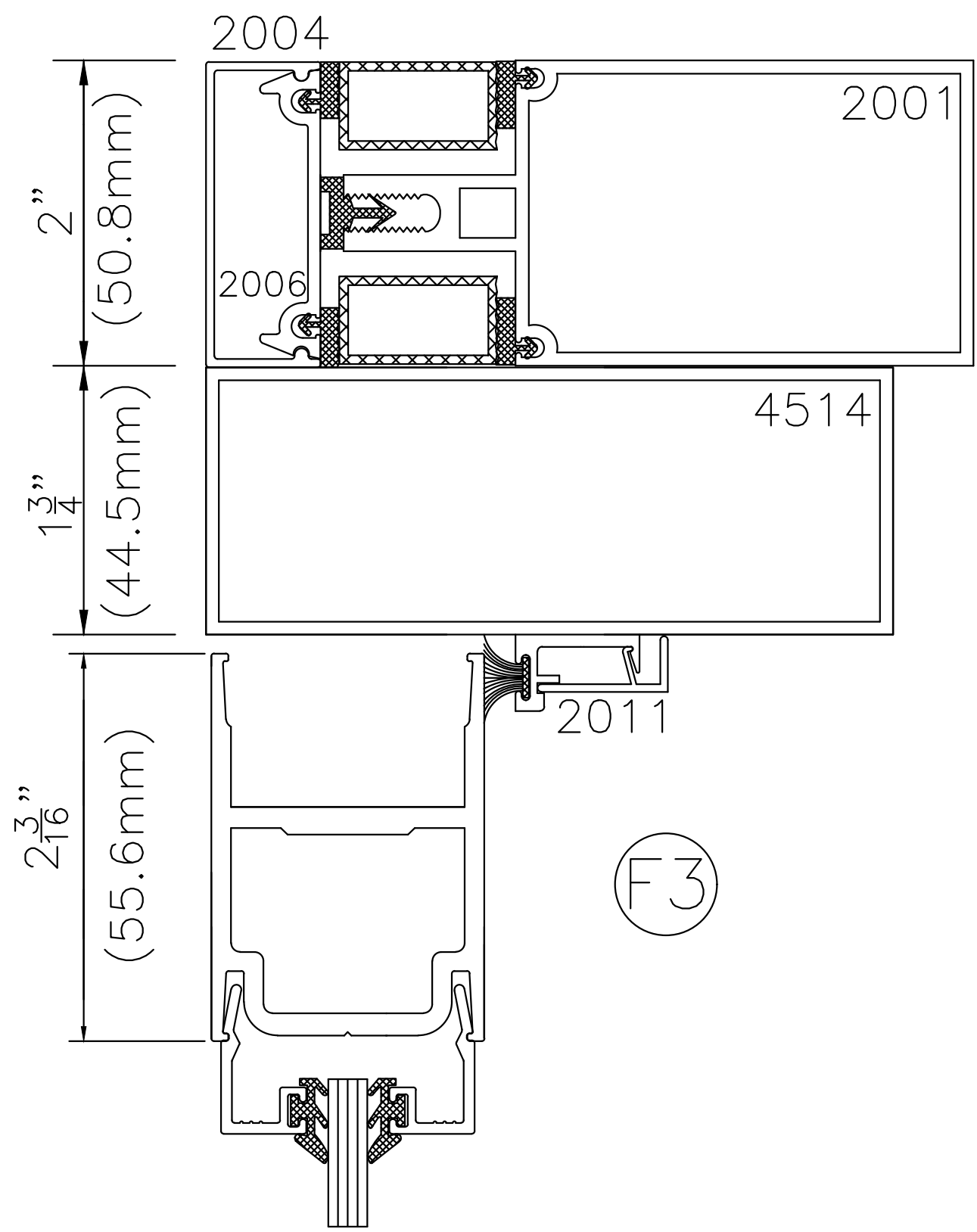
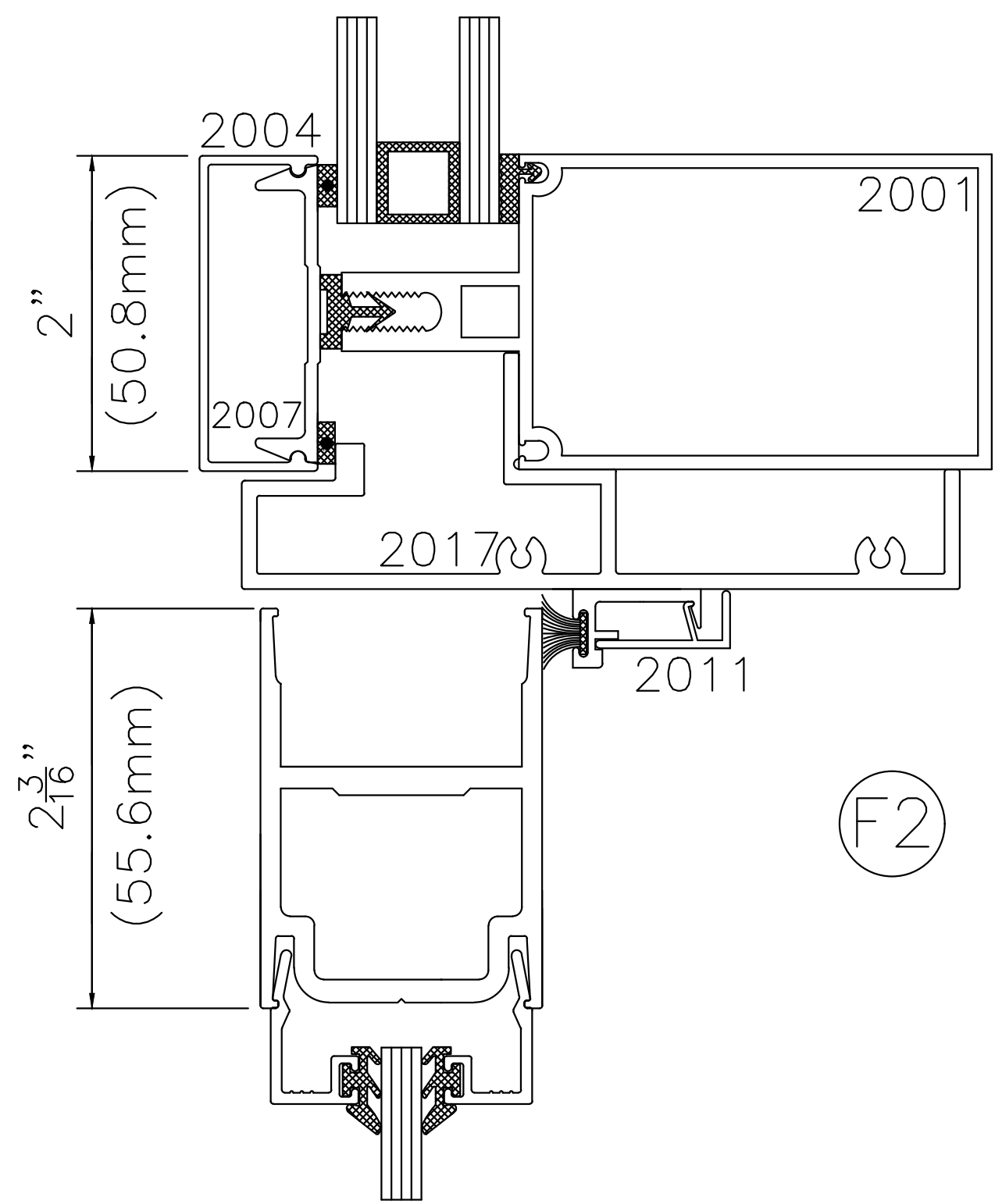
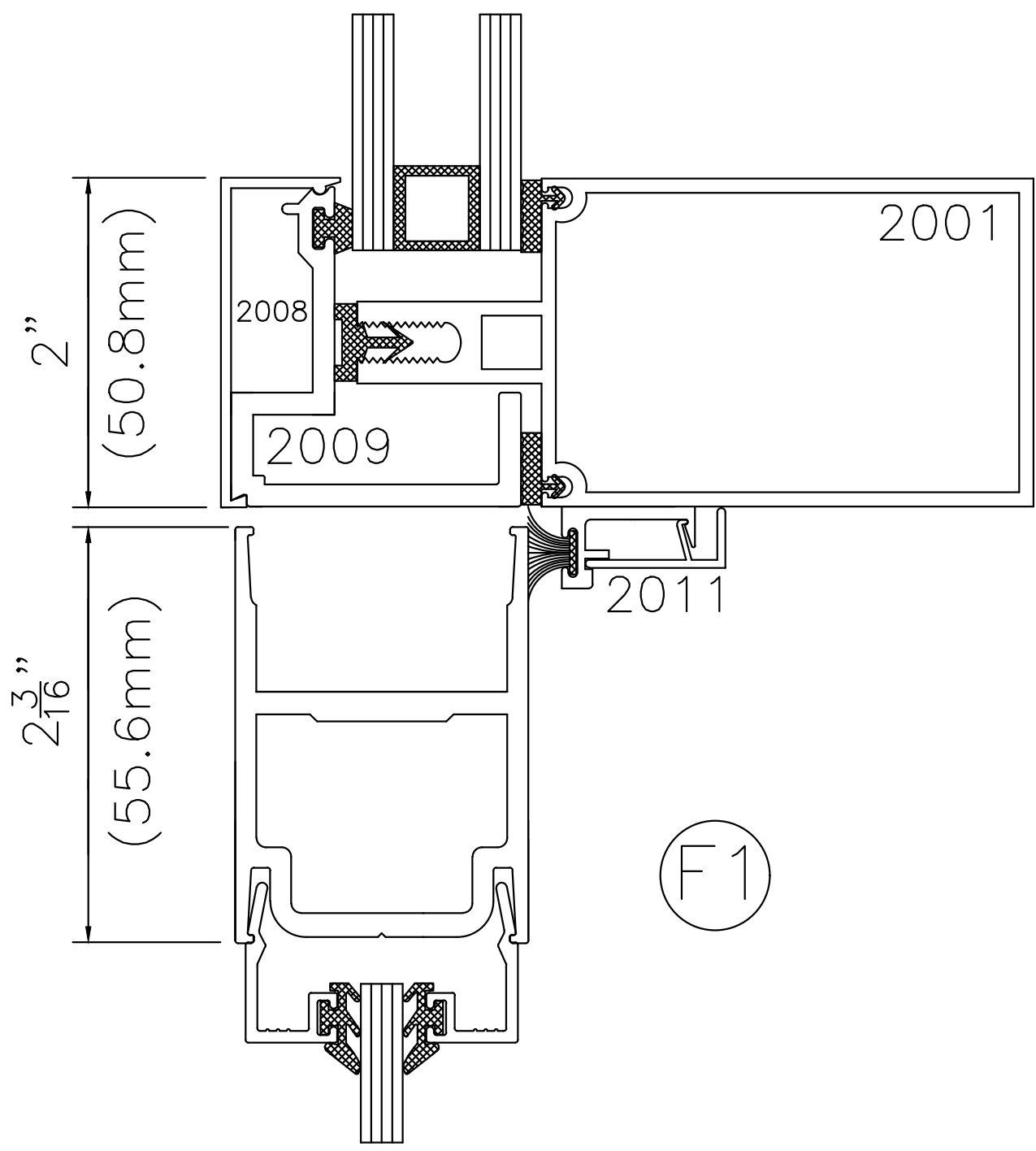
DATE: AUGUST 2014  
 TEL: (905) 738-0188  
 FAX: (905) 738-6132  
 E-MAIL: CDS2009@BELLNET.CA

PAGE:

A7



# 2000 CURTAIN WALL 210 DOORS



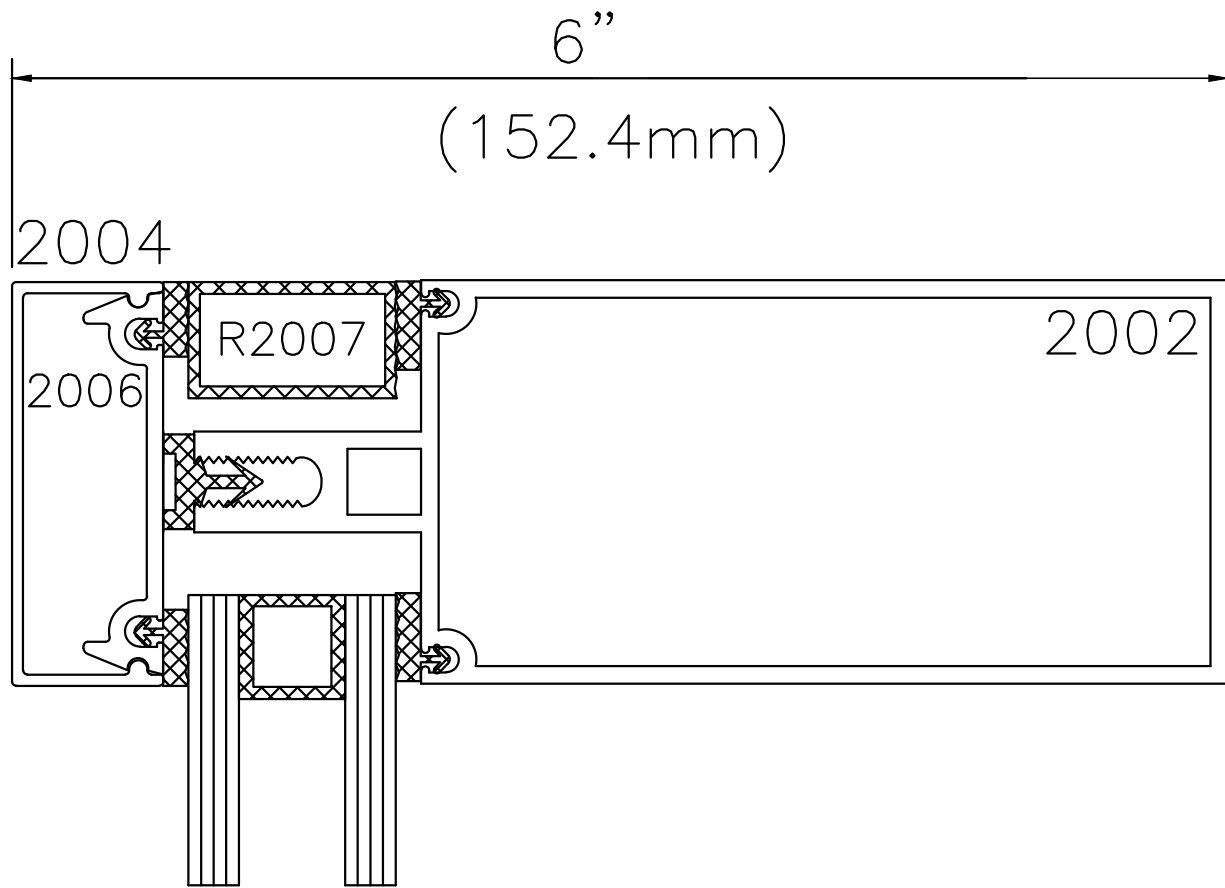
**COMMERCIAL DESIGN  
SYSTEMS INC.**

DATE: AUGUST 2014  
 TEL: (905) 738-0188  
 FAX: (905) 738-6132  
 E-MAIL: CDS2009@BELLNET.CA

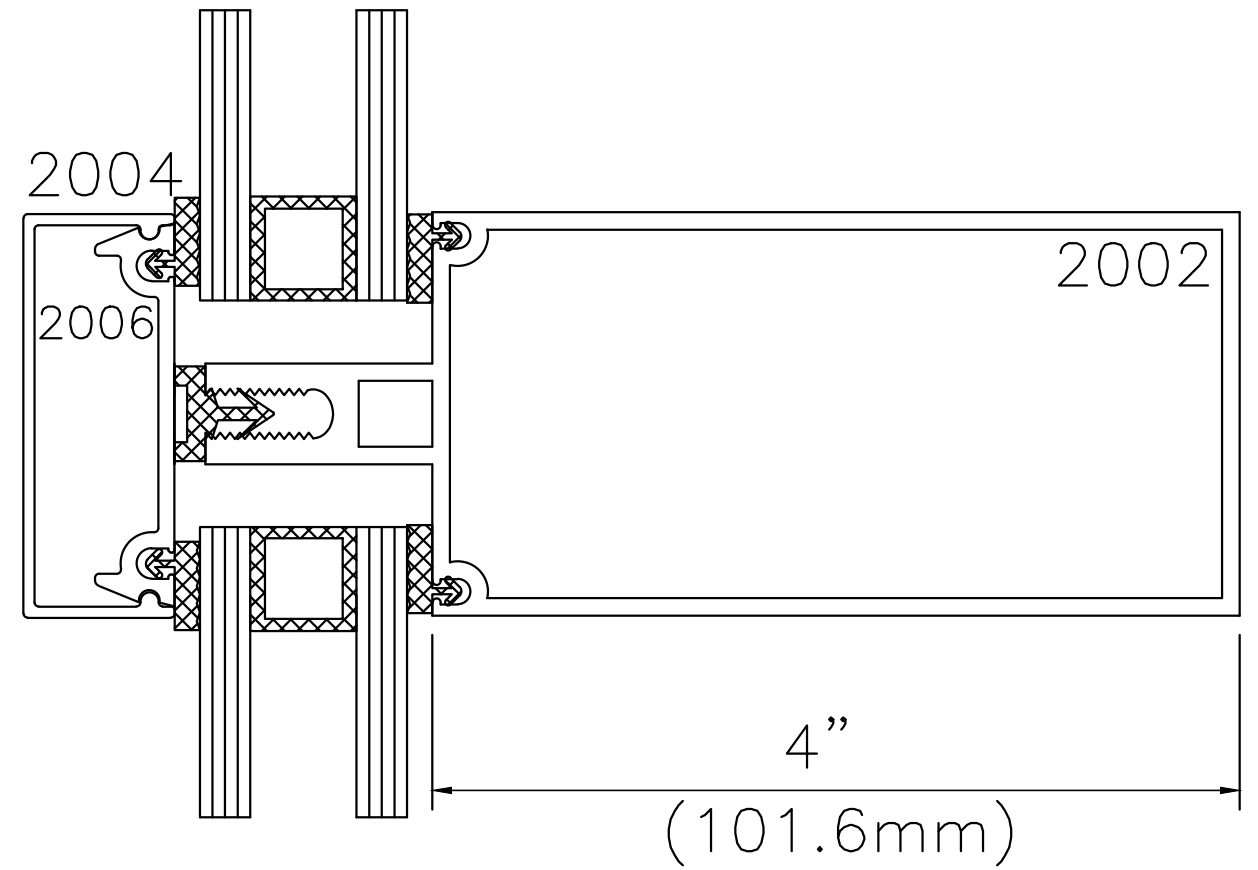
PAGE:  
A8

# 2000 CURTAIN WALL WITH SEAL UNIT GLASS

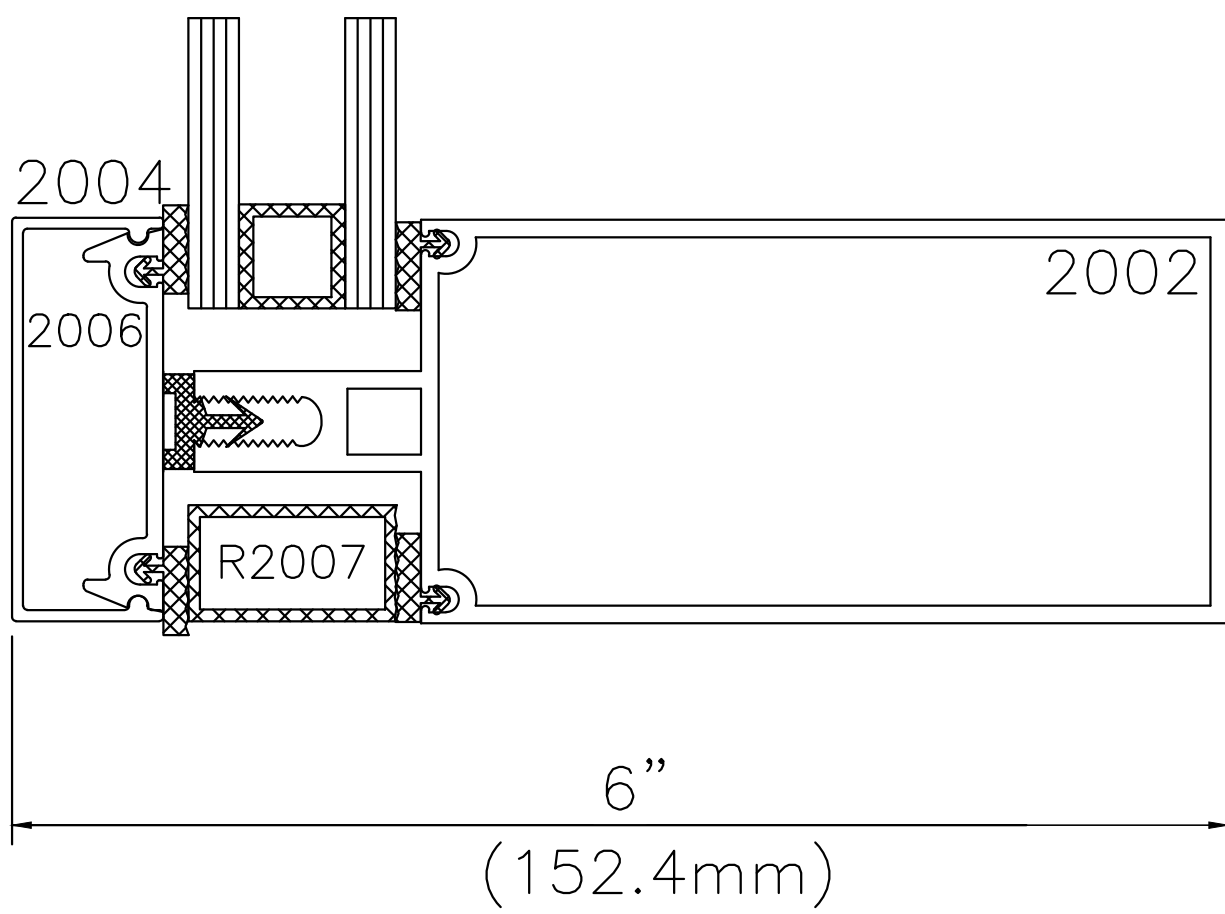
(H)



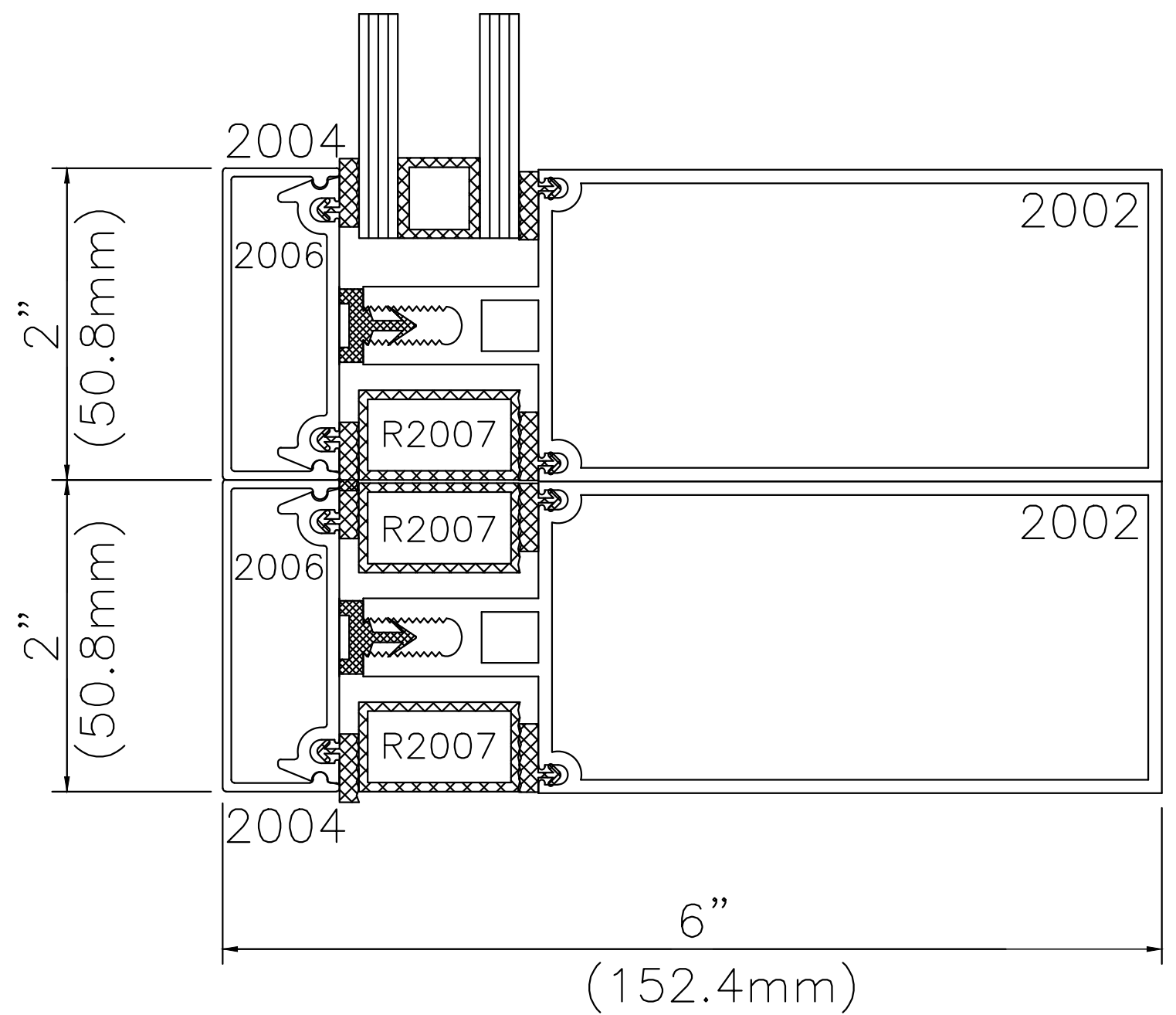
(I)



(J)



(K)



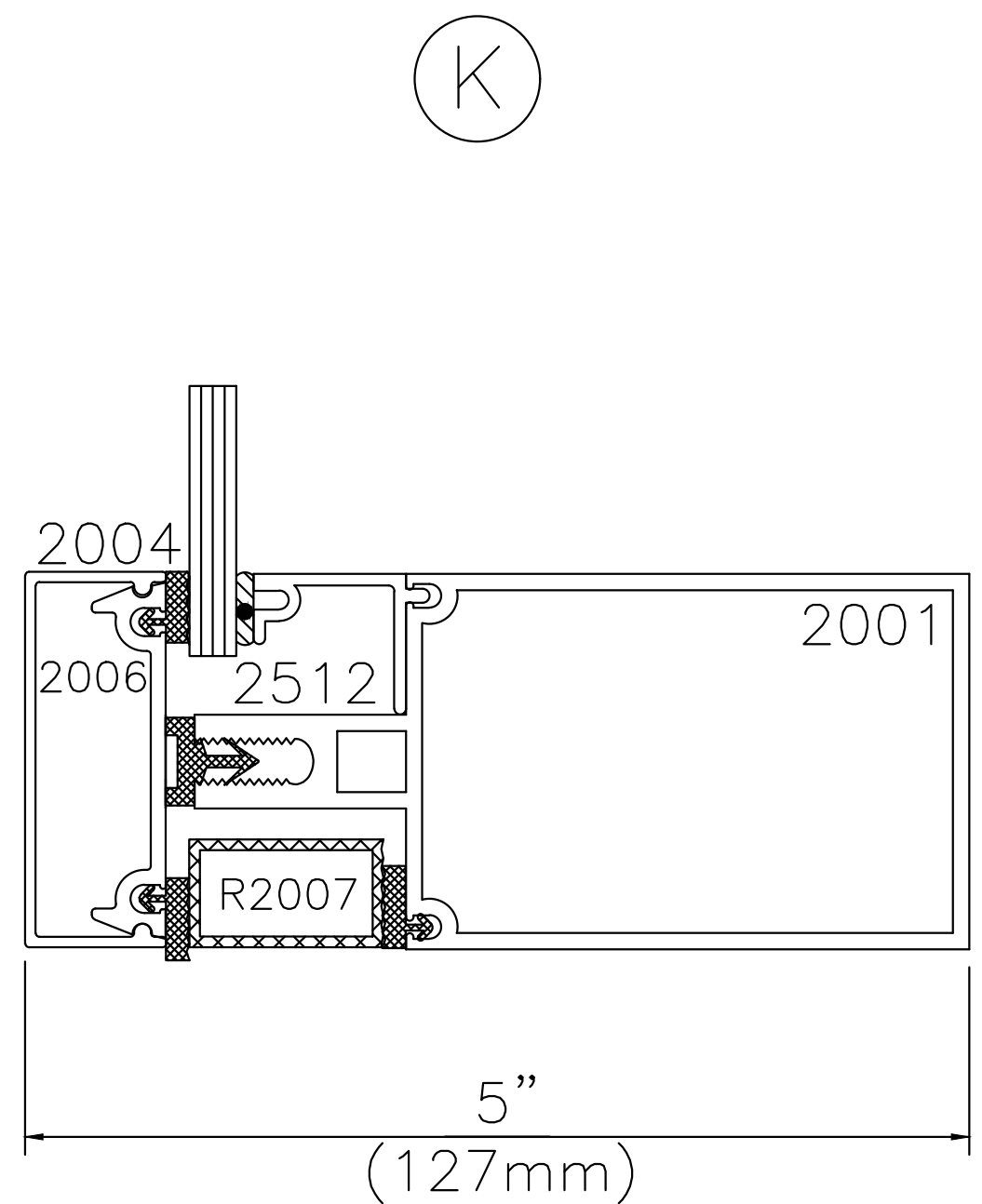
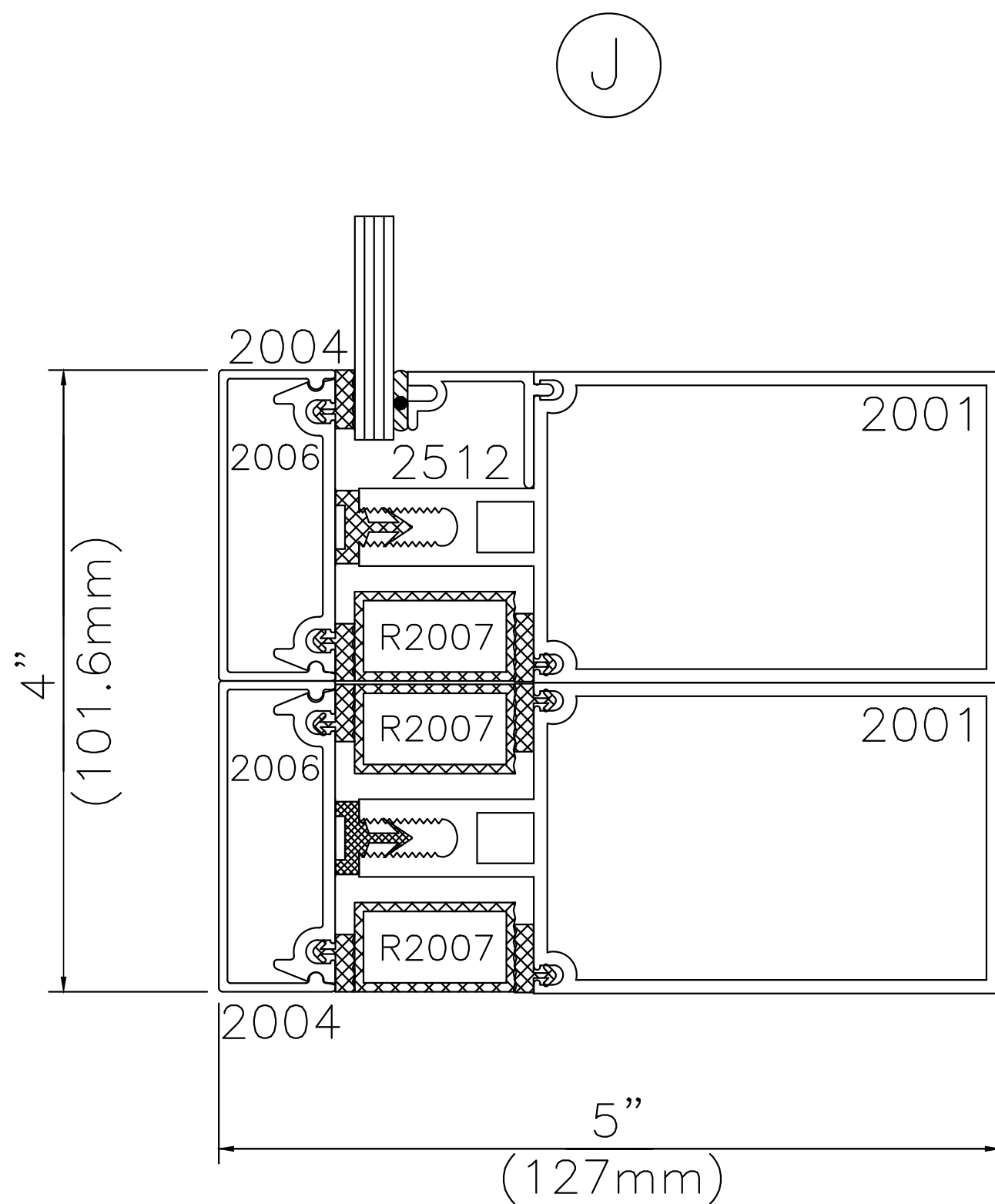
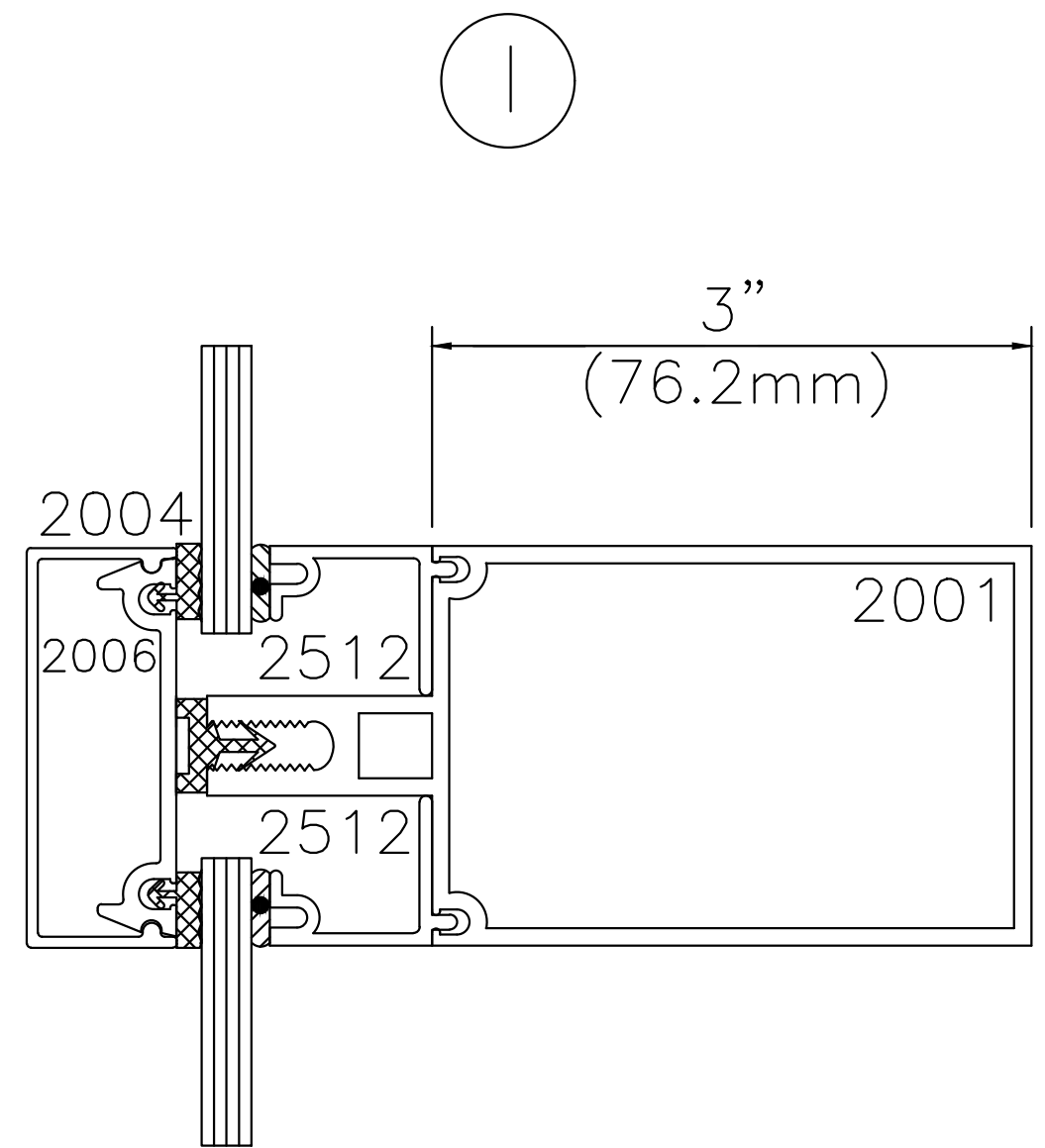
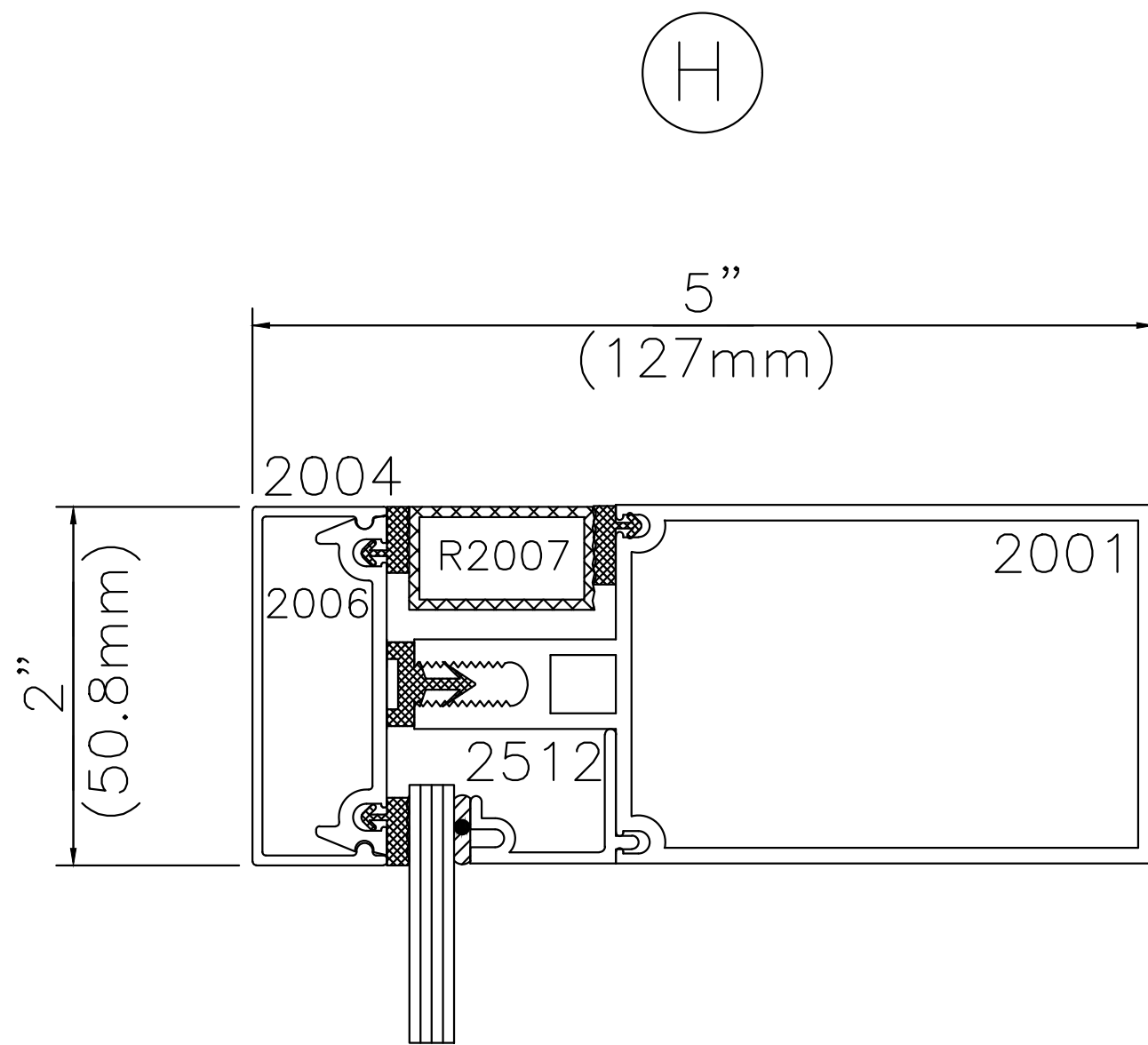
**COMMERCIAL DESIGN  
SYSTEMS INC.**

DATE: AUGUST 2014  
 TEL: (905) 738-0188  
 FAX: (905) 738-6132  
 E-MAIL: CDS2009@BELLNET.CA

PAGE:

A9

# 2000 CURTAIN WALL WITH SINGLE GLAZING ADAPTOR



**COMMERCIAL DESIGN  
SYSTEMS INC.**

DATE: AUGUST 2014  
 TEL: (905) 738-0188  
 FAX: (905) 738-6132  
 E-MAIL: CDS2009@BELLNET.CA

PAGE:

A10