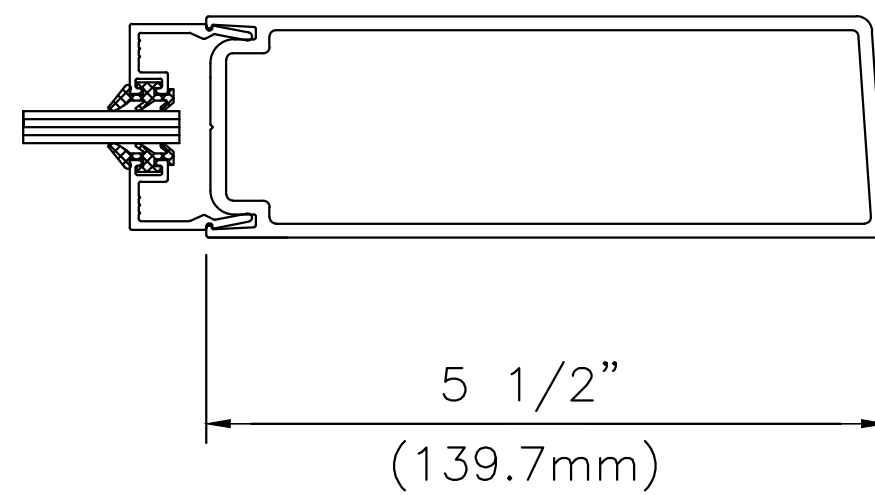
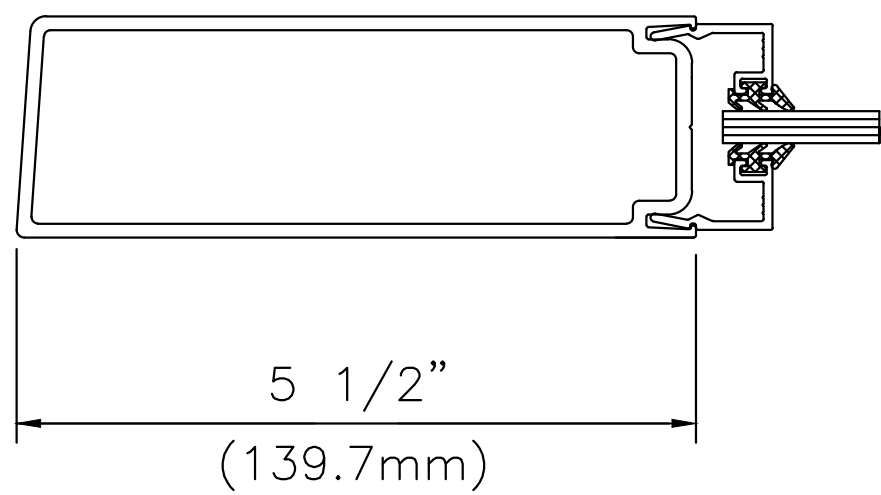
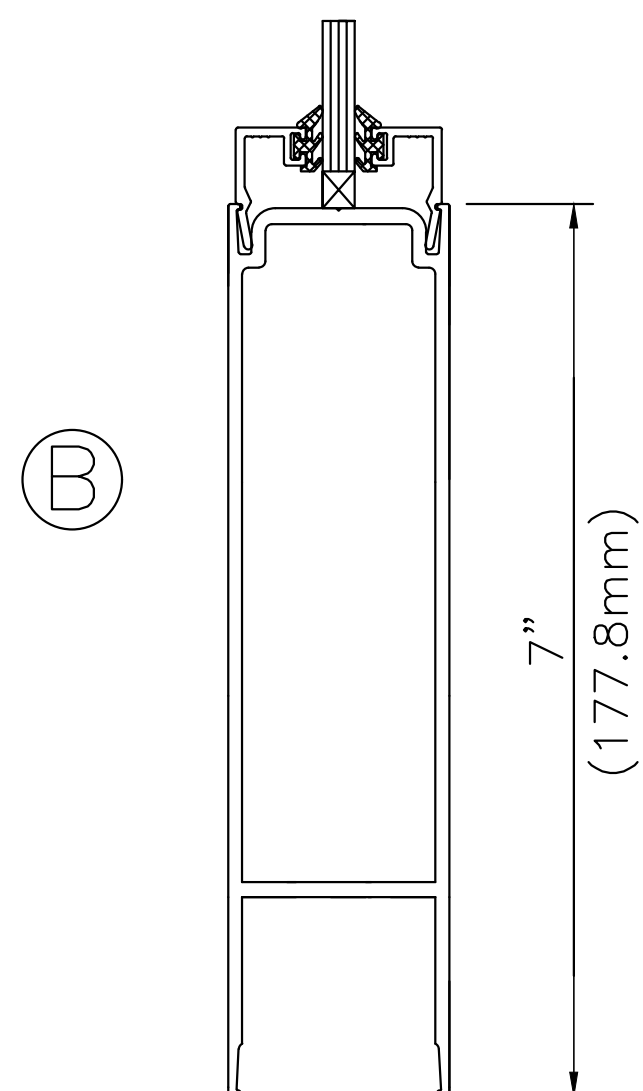
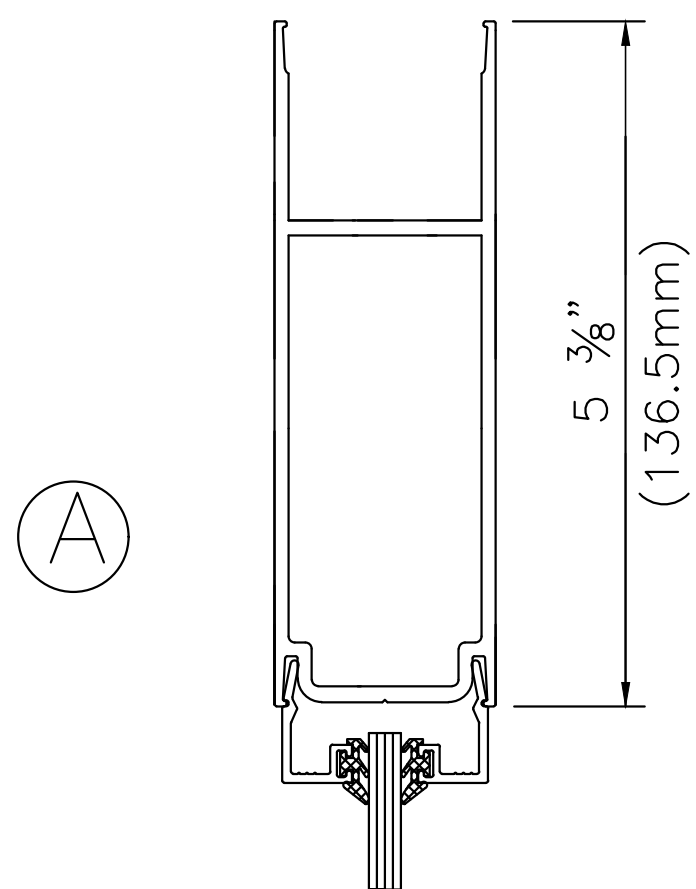
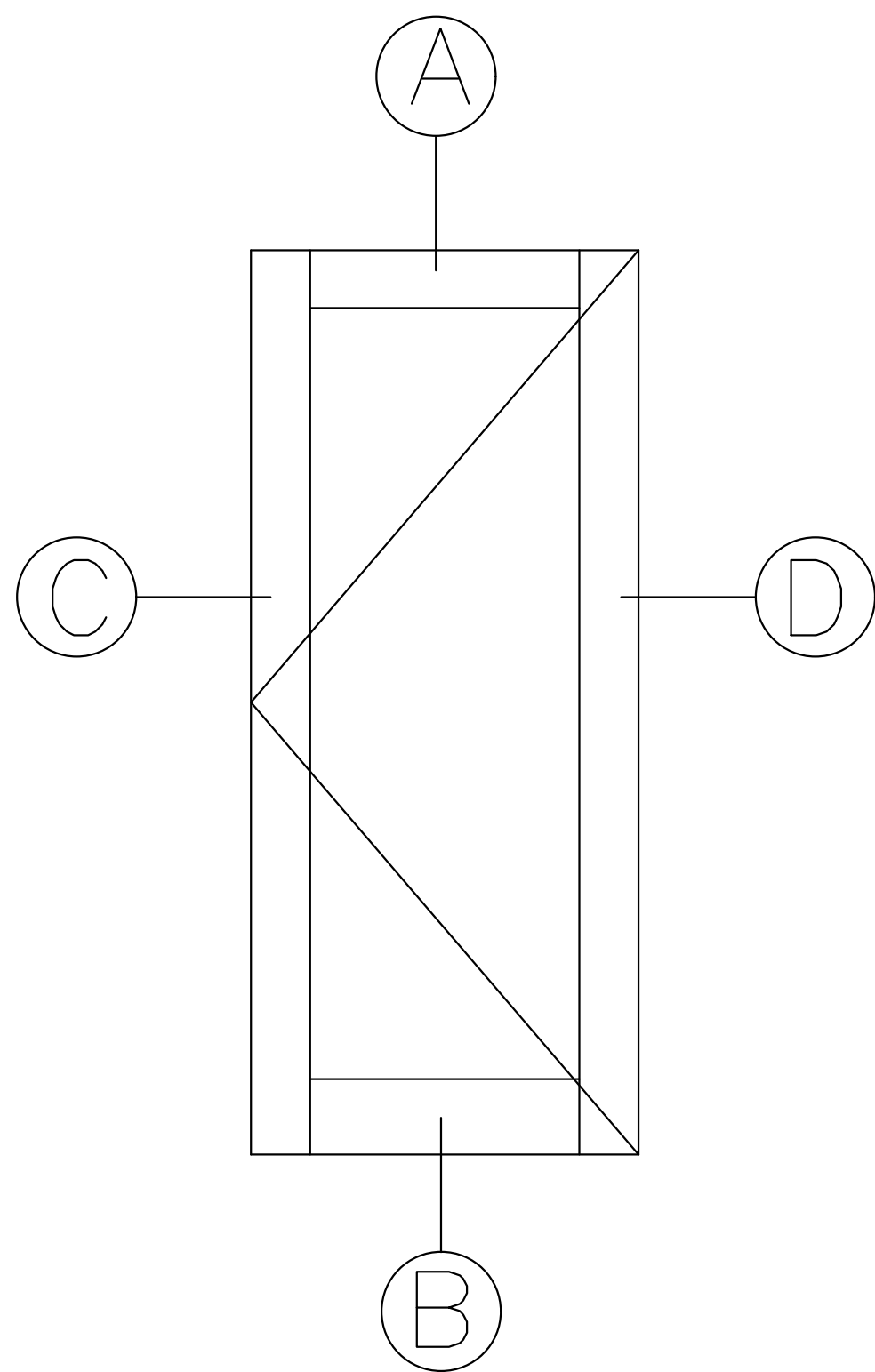


# 550 SERIES WIDE STILE DOORS



(C)

(D)

GLASS SIZE:  $24 \frac{3}{8}$ " X  $70 \frac{5}{16}$ "

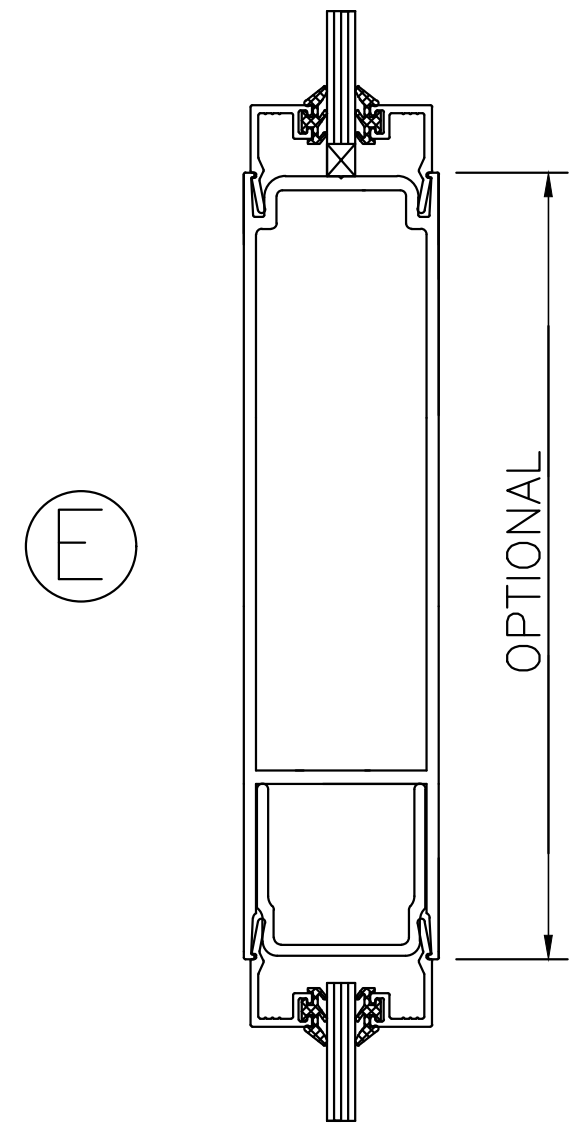
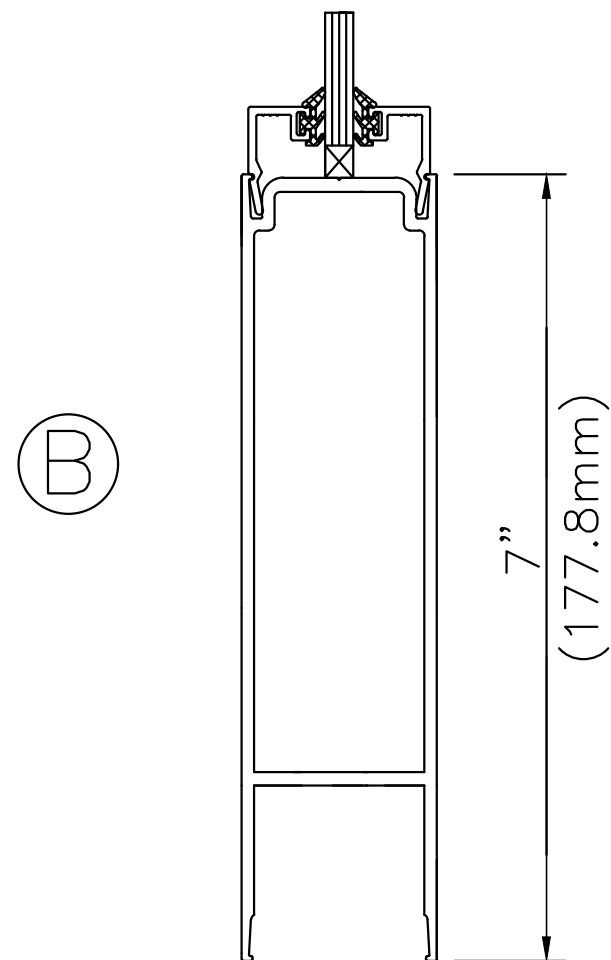
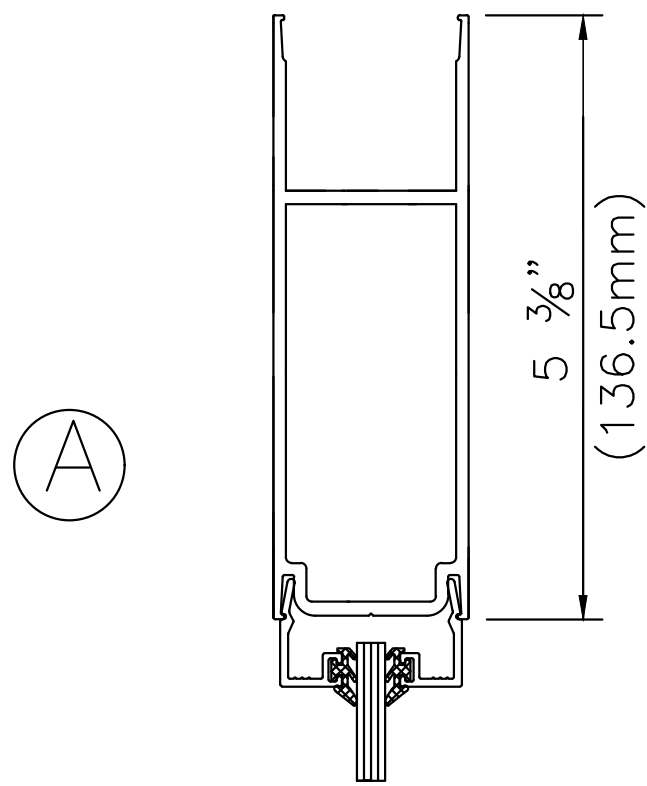
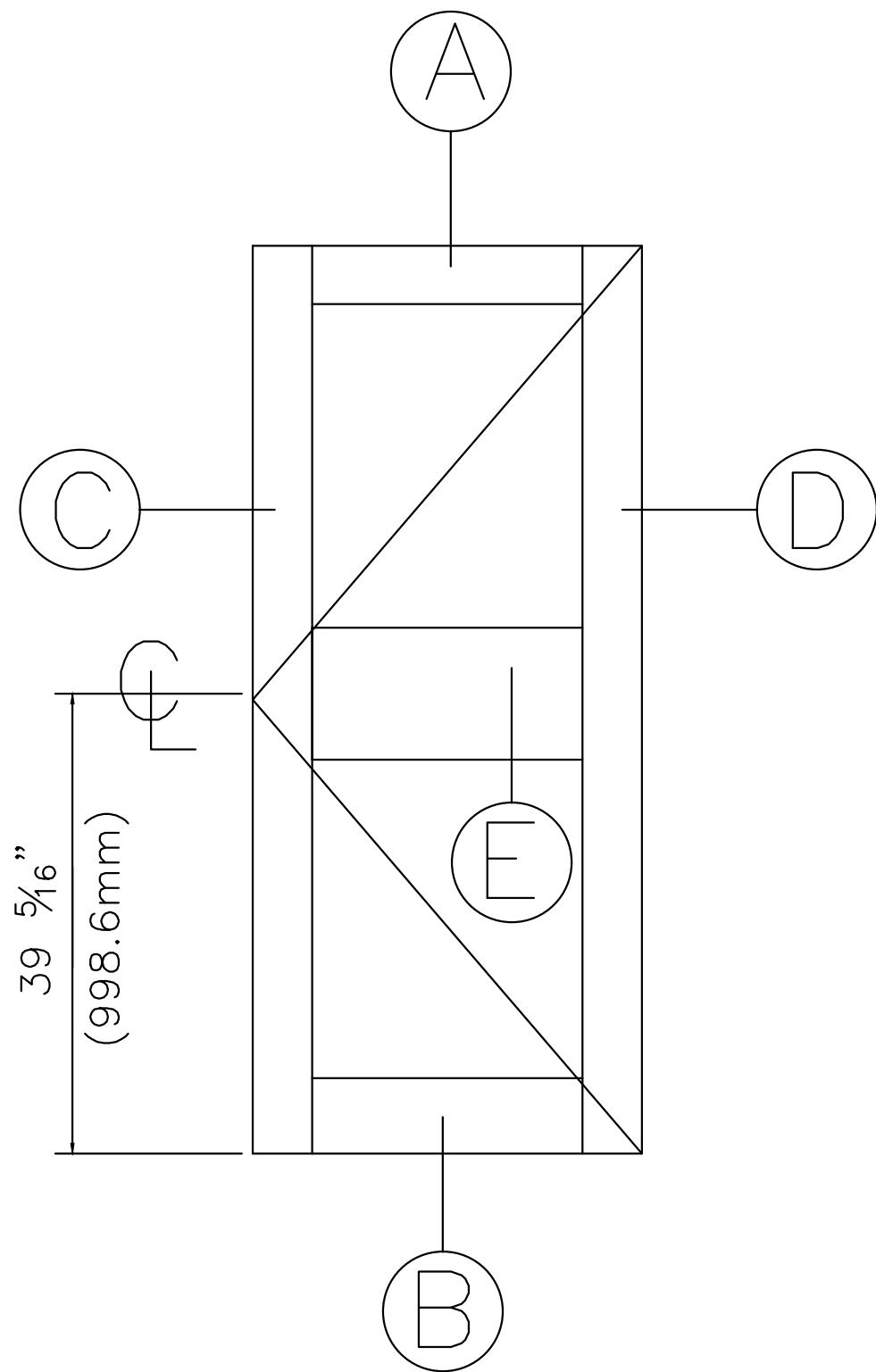


**COMMERCIAL DESIGN  
SYSTEMS INC.**

DATE: AUGUST 2014  
 TEL: (905) 738-0188  
 FAX: (905) 738-6132  
 E-MAIL: CDS2009@BELLNET.CA

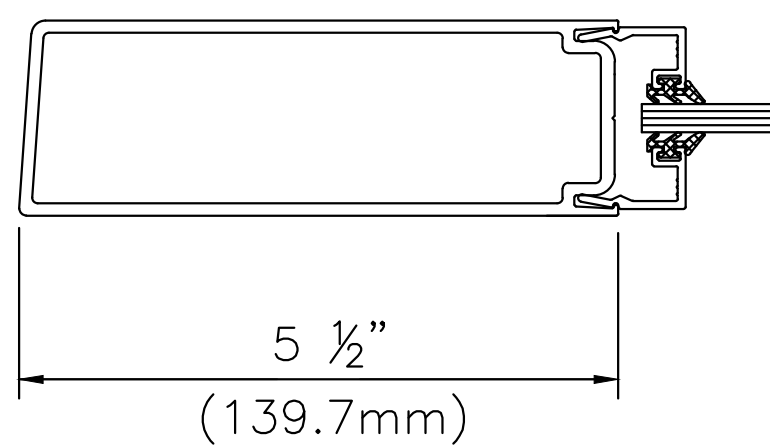
PAGE:  
D1

# 550 SERIES WIDE STILE DOORS

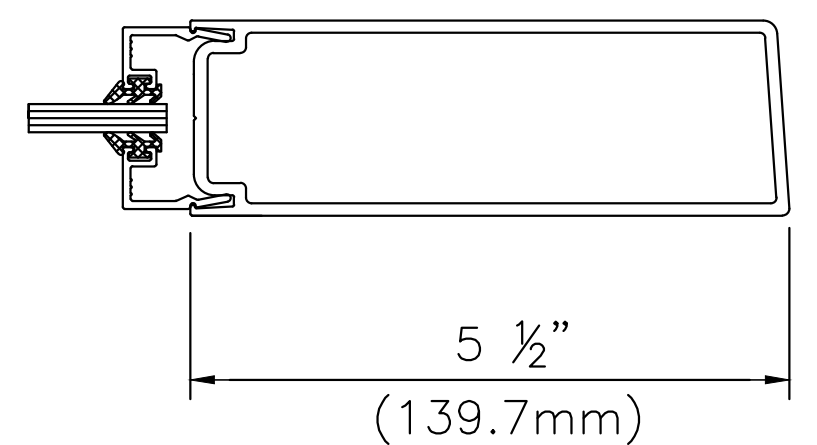


GLASS SIZE WITH CENTER RAIL:  
WITH STANDARD DOOR SIZE (3' X 7')

2 $\frac{3}{16}$ "	24 $\frac{3}{8}$ " X 30 $\frac{3}{4}$ " (BOTTOM)
	24 $\frac{3}{8}$ " X 36 $\frac{15}{16}$ " (TOP)
3 $\frac{7}{8}$ "	24 $\frac{3}{8}$ " X 29 $\frac{7}{8}$ " (BOTTOM)
	24 $\frac{3}{8}$ " X 36 $\frac{1}{16}$ " (TOP)
5 $\frac{3}{8}$ "	24 $\frac{3}{8}$ " X 29 $\frac{1}{8}$ " (BOTTOM)
	24 $\frac{3}{8}$ " X 35 $\frac{5}{16}$ " (TOP)
7"	24 $\frac{3}{8}$ " X 28 $\frac{5}{16}$ " (BOTTOM)
	24 $\frac{3}{8}$ " X 34 $\frac{1}{2}$ " (TOP)
8"	24 $\frac{3}{8}$ " X 27 $\frac{13}{16}$ " (BOTTOM)
	24 $\frac{3}{8}$ " X 34" (TOP)
10"	24 $\frac{3}{8}$ " X 26 $\frac{13}{16}$ " (BOTTOM)
	24 $\frac{3}{8}$ " X 33" (TOP)



(C)



(D)



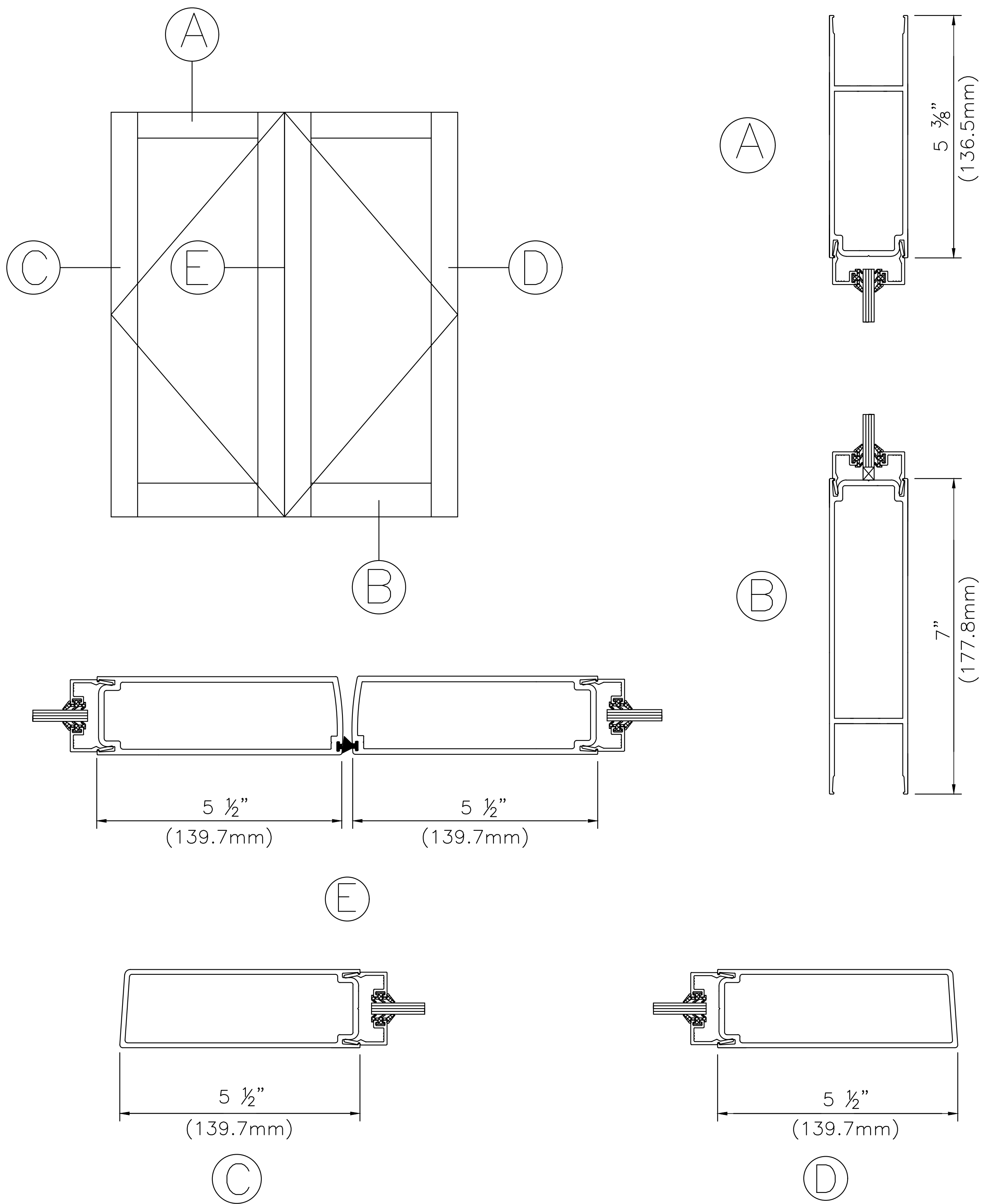
**COMMERCIAL DESIGN  
SYSTEMS INC.**

DATE: AUGUST 2014  
TEL: (905) 738-0188  
FAX: (905) 738-6132  
E-MAIL: CDS2009@BELLNET.CA

PAGE:

D2

# 550 SERIES WIDE STILE DOORS



GLASS SIZE:  $24 \frac{3}{8}"$  X  $70 \frac{5}{16}"$



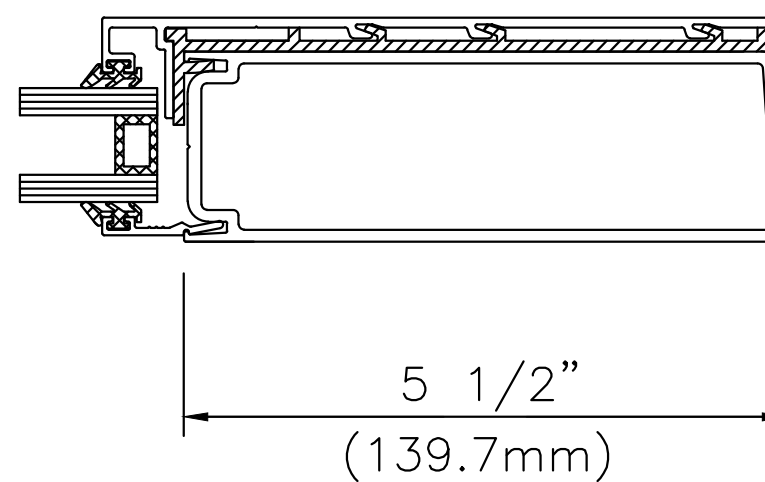
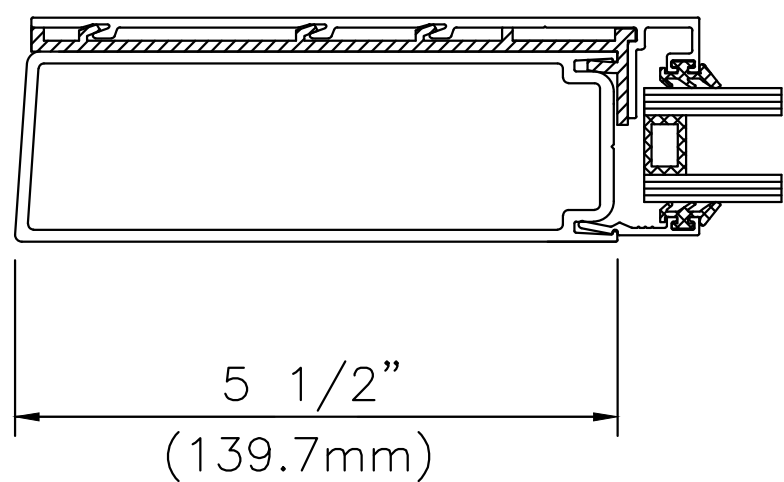
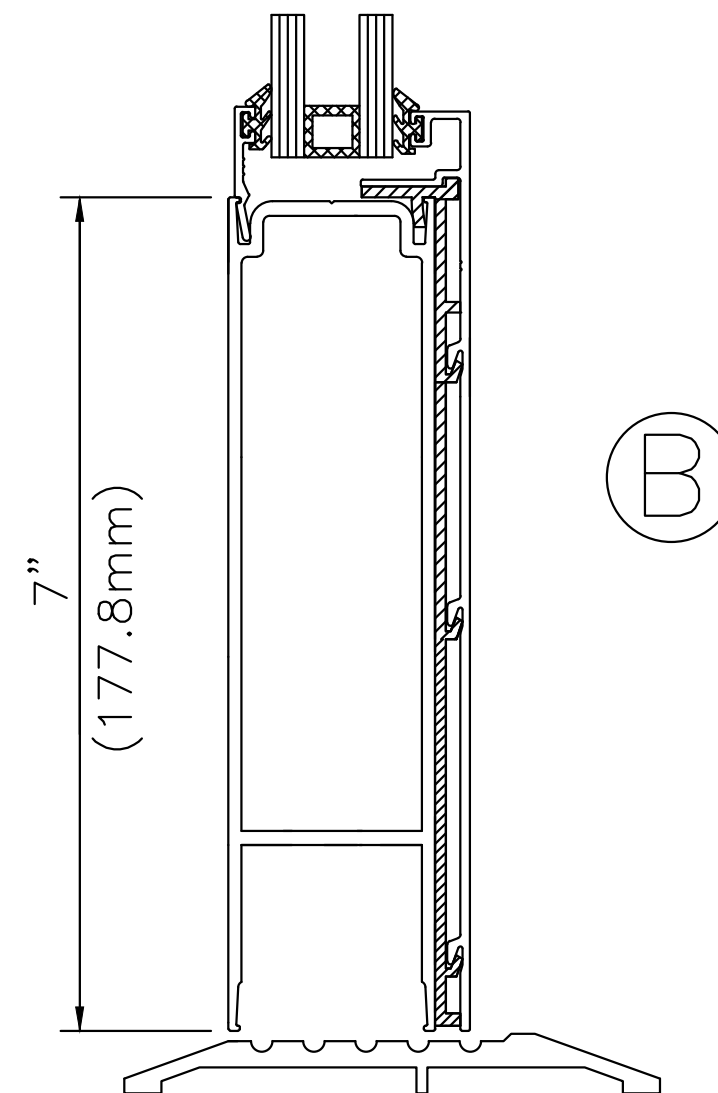
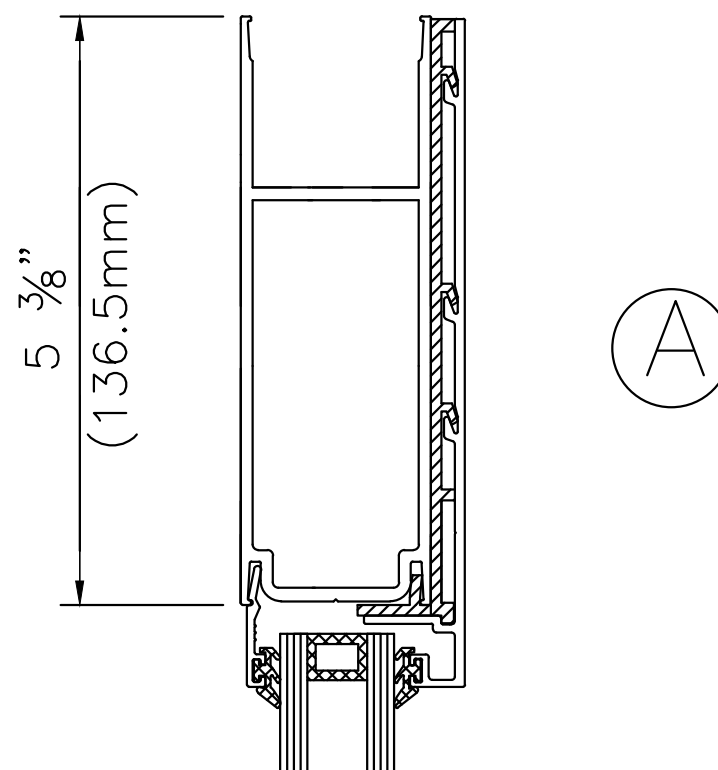
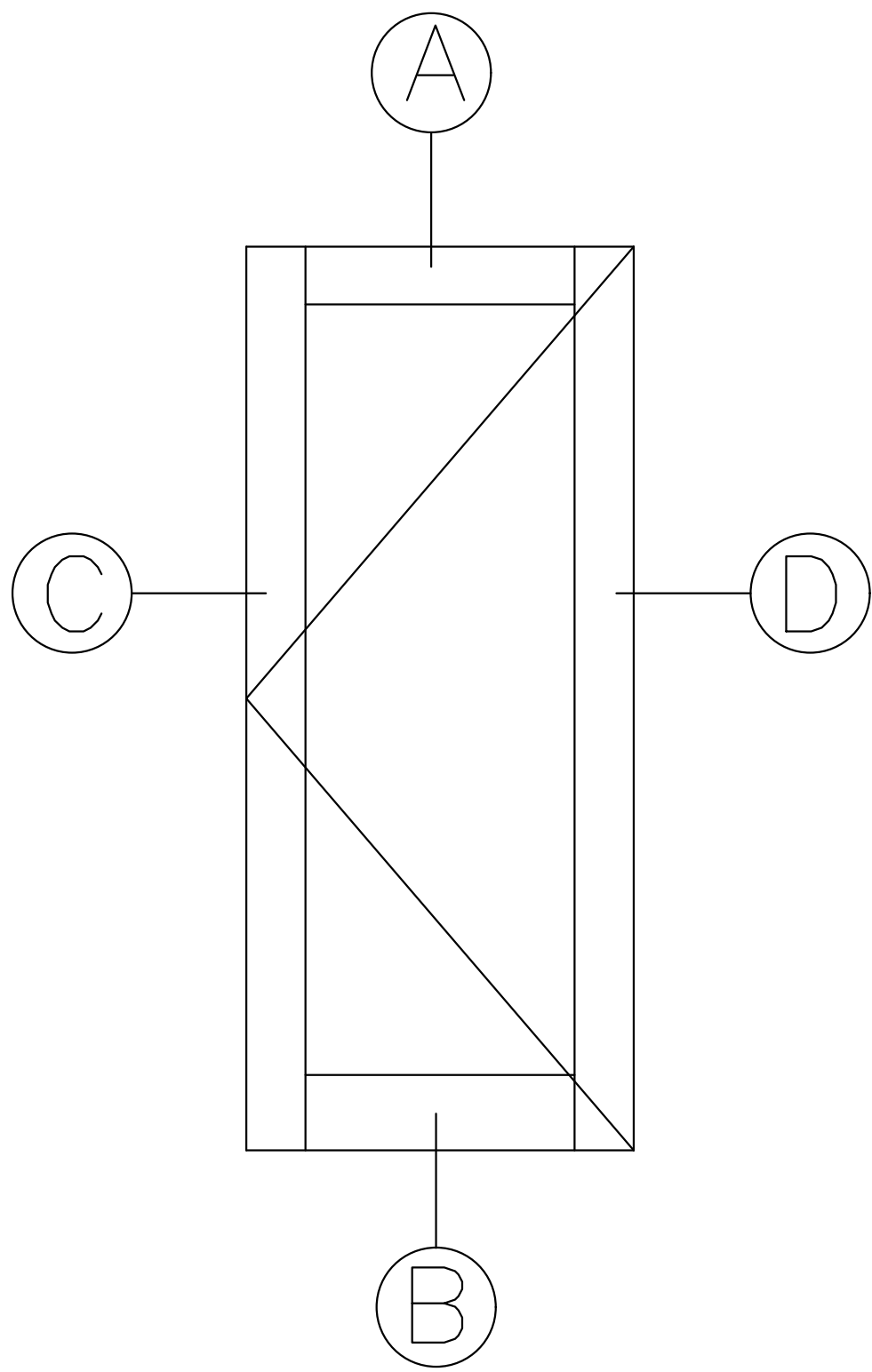
**COMMERCIAL DESIGN  
SYSTEMS INC.**

DATE: AUGUST 2014  
 TEL: (905) 738-0188  
 FAX: (905) 738-6132  
 E-MAIL: CDS2009@BELLNET.CA

PAGE:

D3

# 550 SERIES WIDE STILE INSULATED DOORS



(C)

(D)

GLASS SIZE: S/U AT 24  $\frac{1}{8}$ " X 70  $\frac{1}{8}$ "



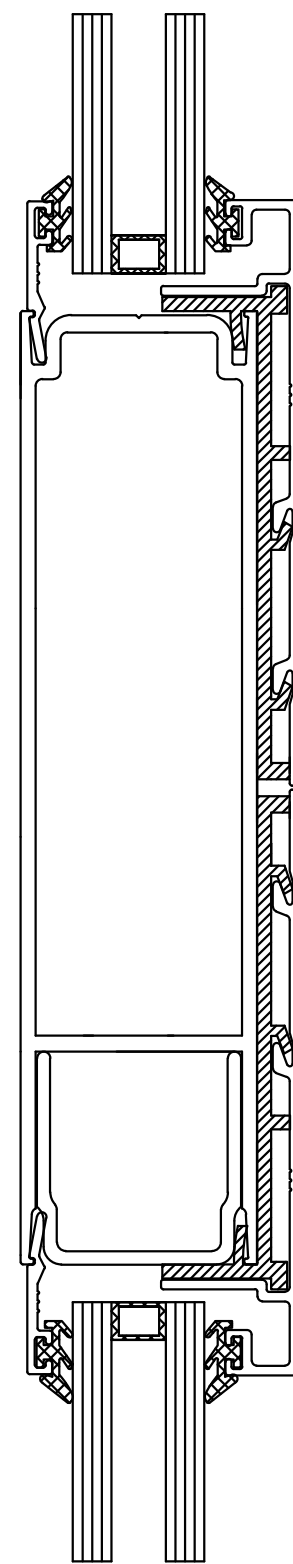
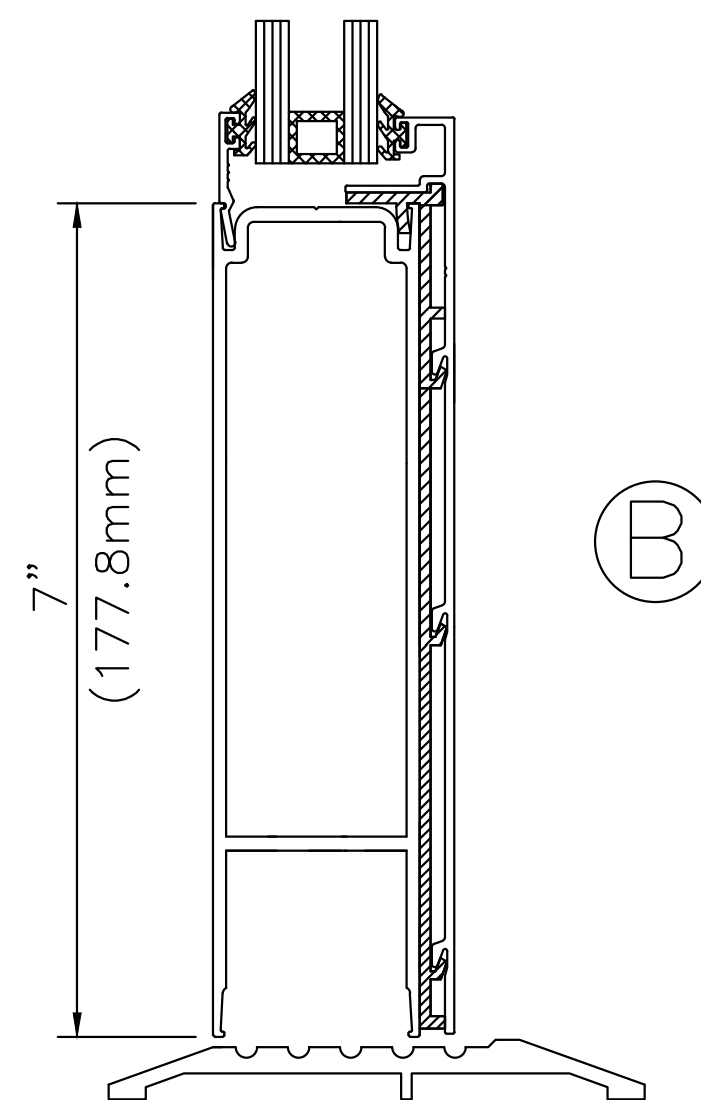
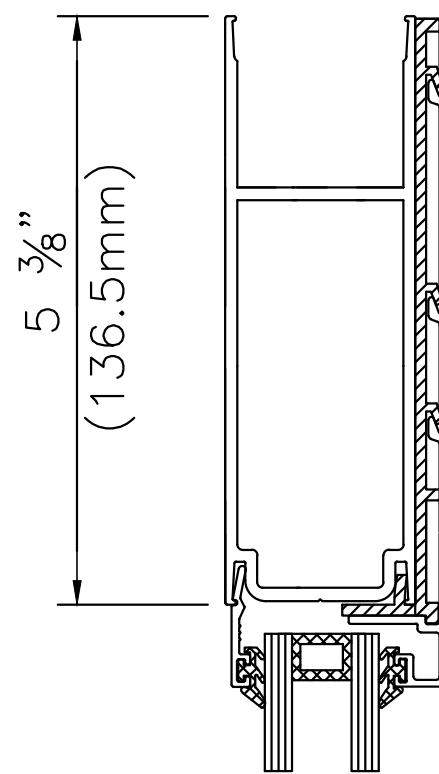
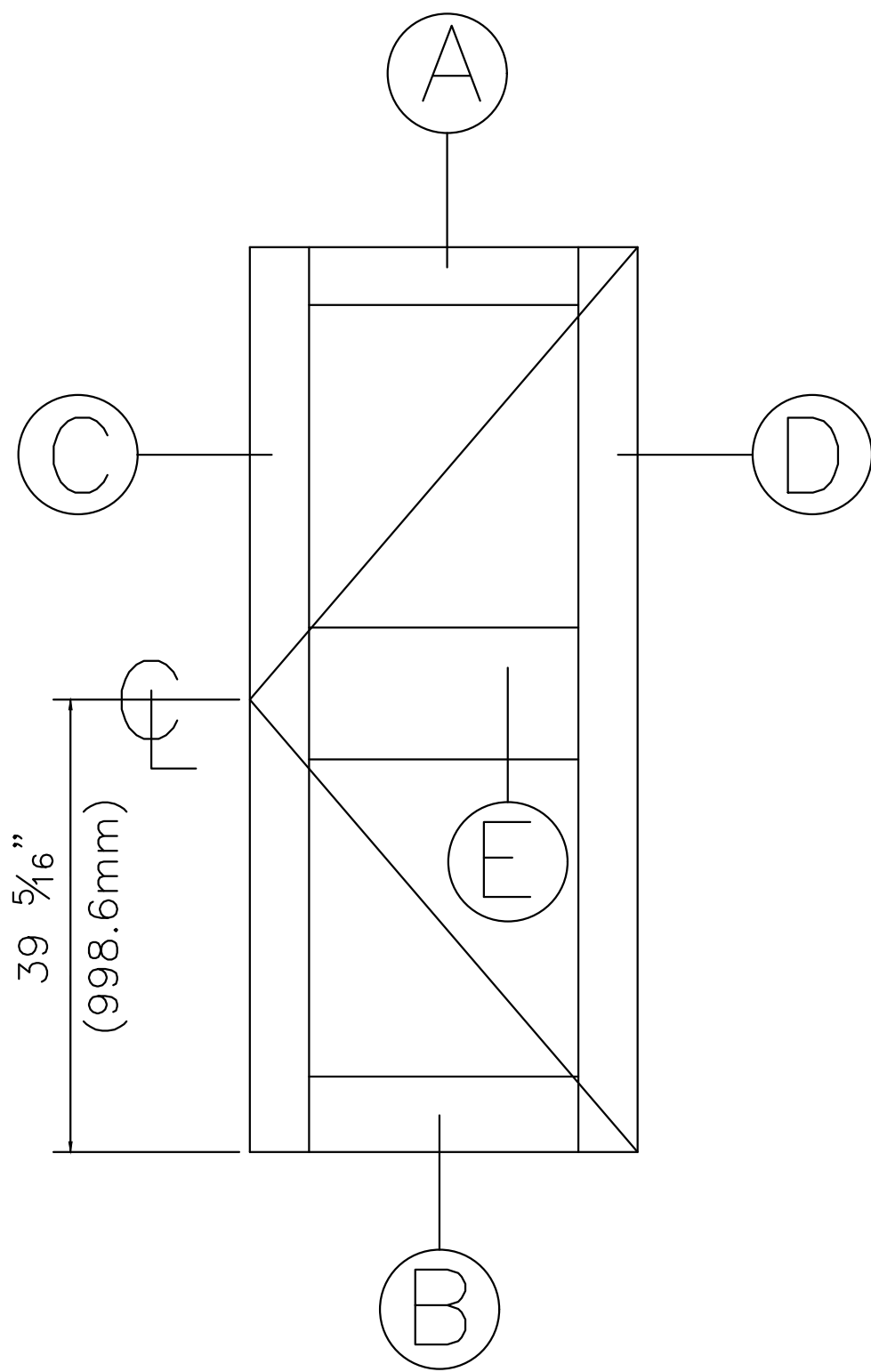
**COMMERCIAL DESIGN  
SYSTEMS INC.**

DATE: AUGUST 2014  
 TEL: (905) 738-0188  
 FAX: (905) 738-6132  
 E-MAIL: CDS2009@BELLNET.CA

PAGE:

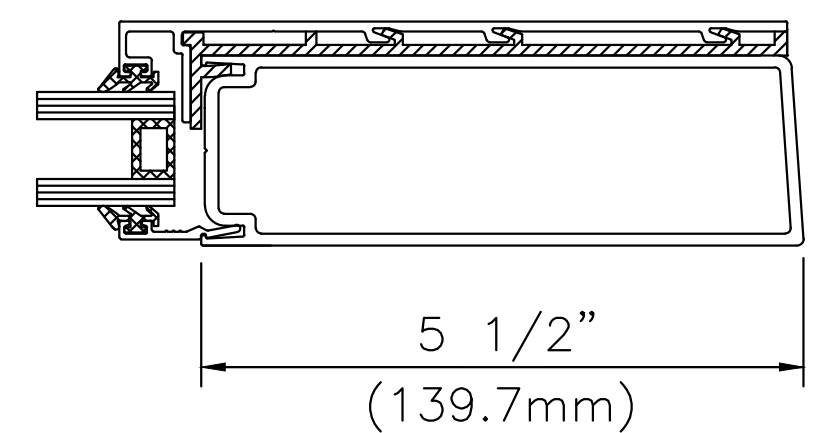
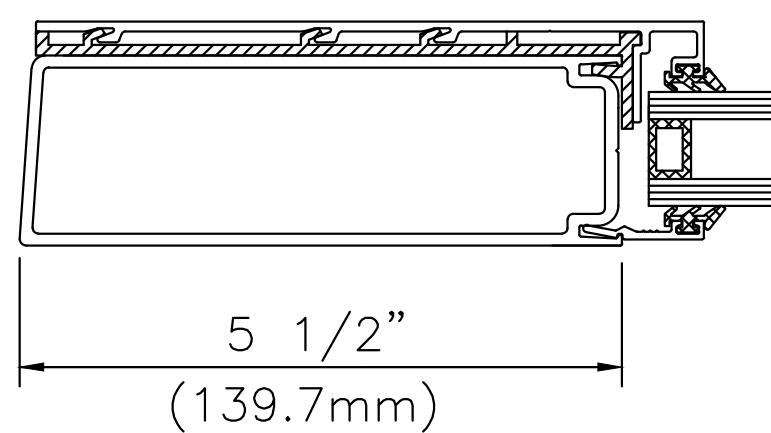
D4

# 550 SERIES WIDE STILE INSULATED DOORS



GLASS SIZE WITH CENTER RAIL:  
WITH STANDARD DOOR SIZE (3' X 7')

2 $\frac{3}{16}$ "	24 $\frac{1}{8}$ " X 30 $\frac{9}{16}$ " (BOTTOM)
	24 $\frac{1}{8}$ " X 36 $\frac{3}{4}$ " (TOP)
3 $\frac{7}{8}$ "	24 $\frac{1}{8}$ " X 29 $\frac{11}{16}$ " (BOTTOM)
	24 $\frac{1}{8}$ " X 35 $\frac{7}{8}$ " (TOP)
5 $\frac{3}{8}$ "	24 $\frac{1}{8}$ " X 28 $\frac{15}{16}$ " (BOTTOM)
	24 $\frac{1}{8}$ " X 35 $\frac{1}{8}$ " (TOP)
7"	24 $\frac{1}{8}$ " X 28 $\frac{1}{8}$ " (BOTTOM)
	24 $\frac{1}{8}$ " X 34 $\frac{5}{16}$ " (TOP)
8"	24 $\frac{1}{8}$ " X 27 $\frac{5}{8}$ " (BOTTOM)
	24 $\frac{1}{8}$ " X 34 $\frac{13}{16}$ " (TOP)
10"	24 $\frac{1}{8}$ " X 26 $\frac{5}{8}$ " (BOTTOM)
	24 $\frac{1}{8}$ " X 33 $\frac{13}{16}$ " (TOP)



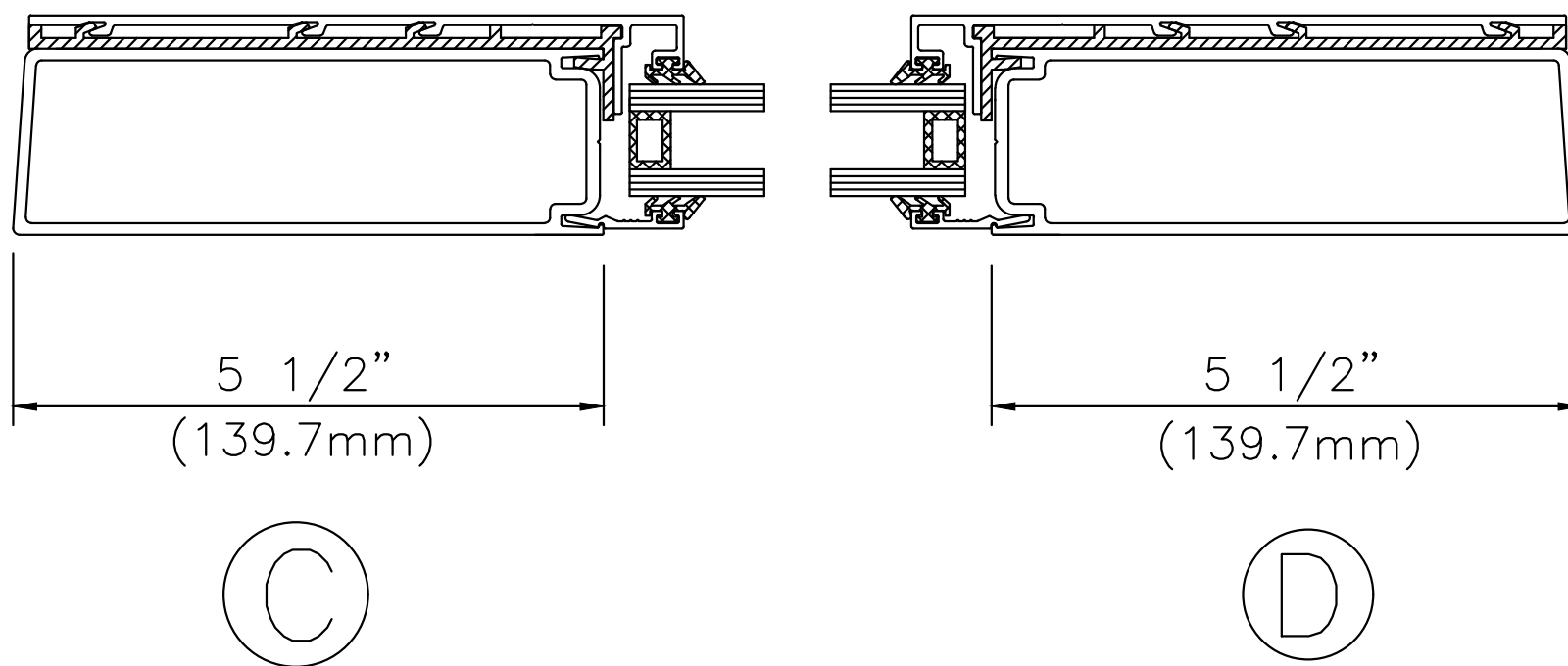
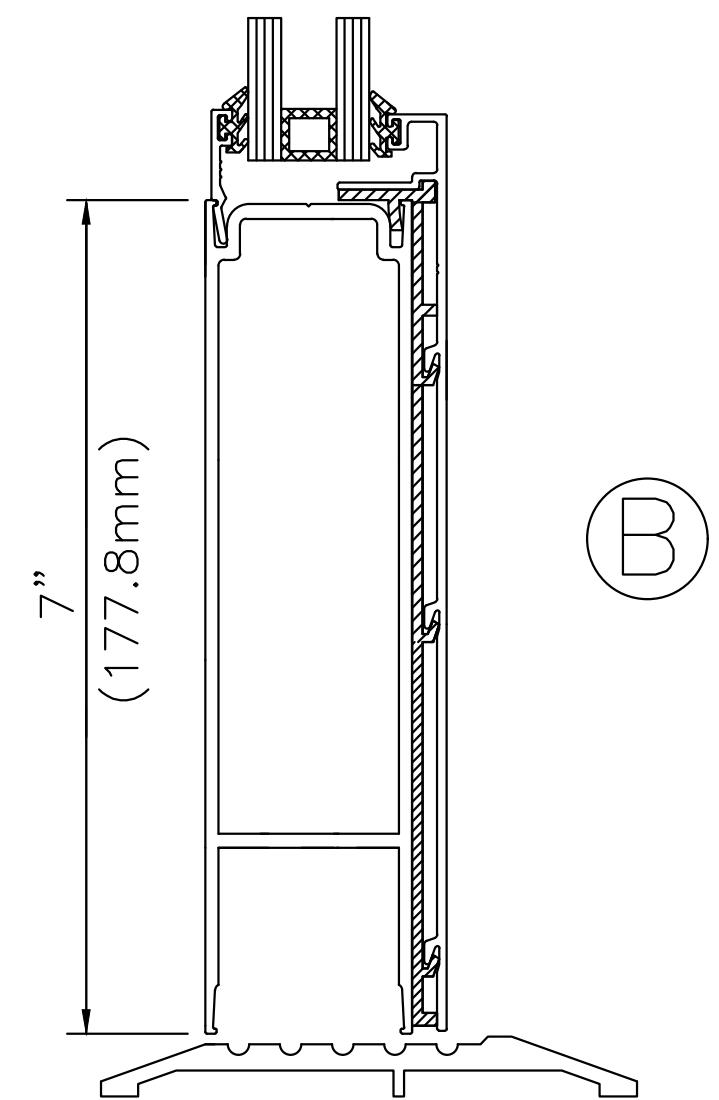
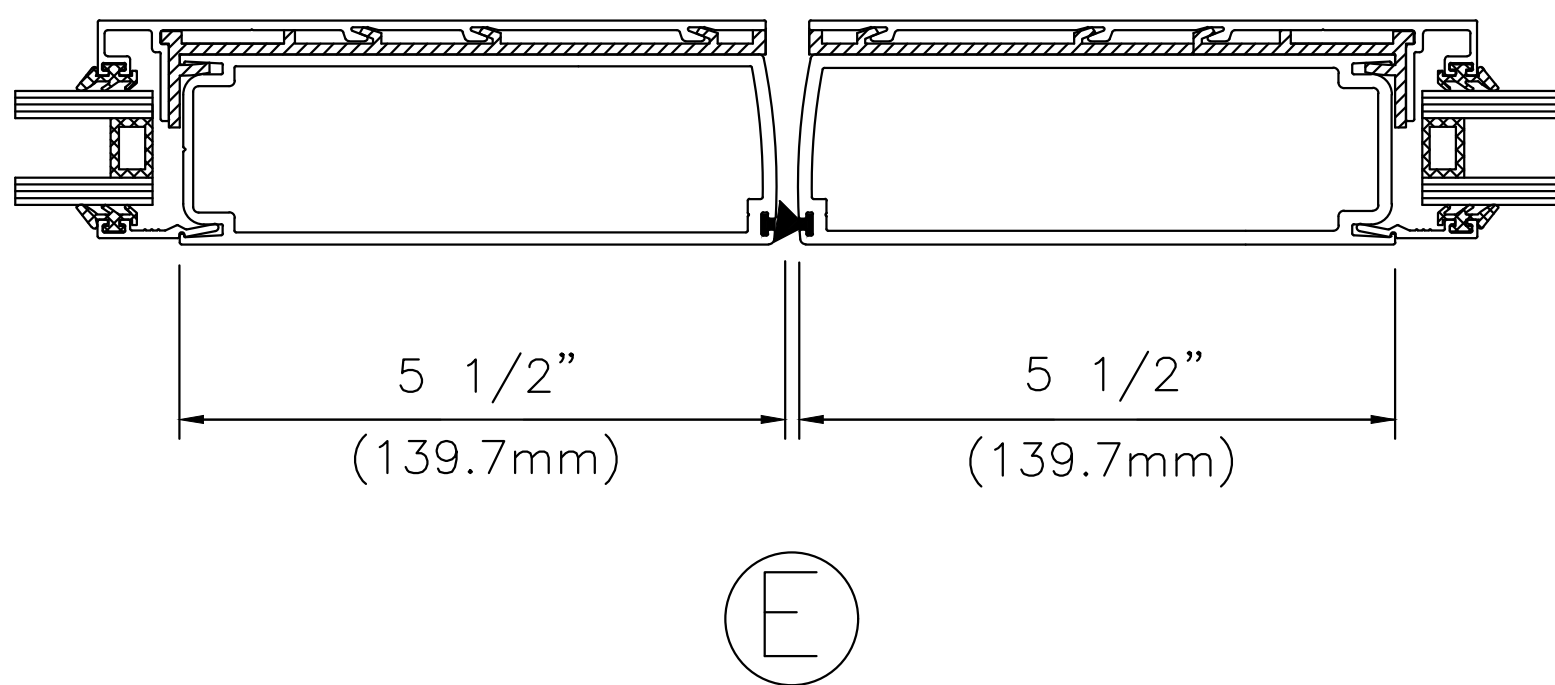
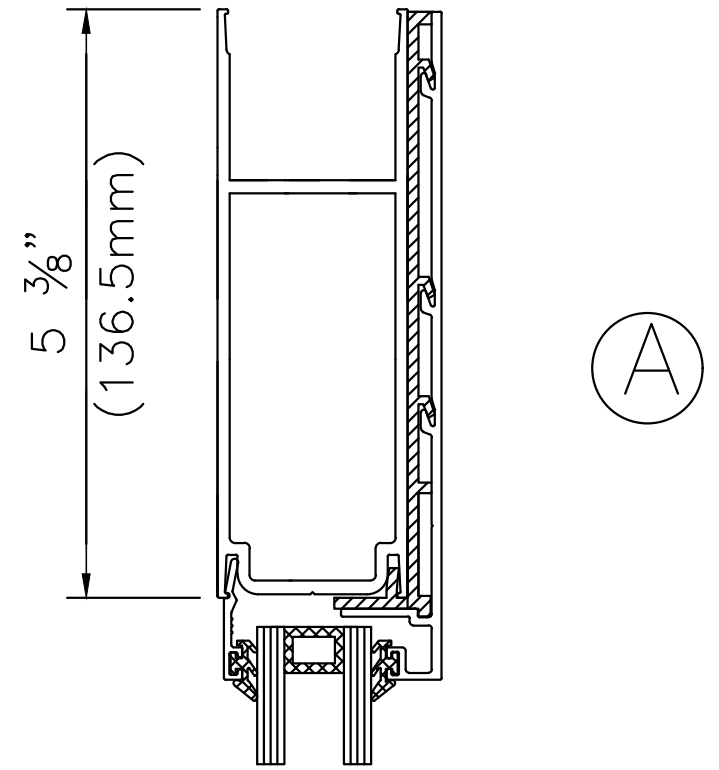
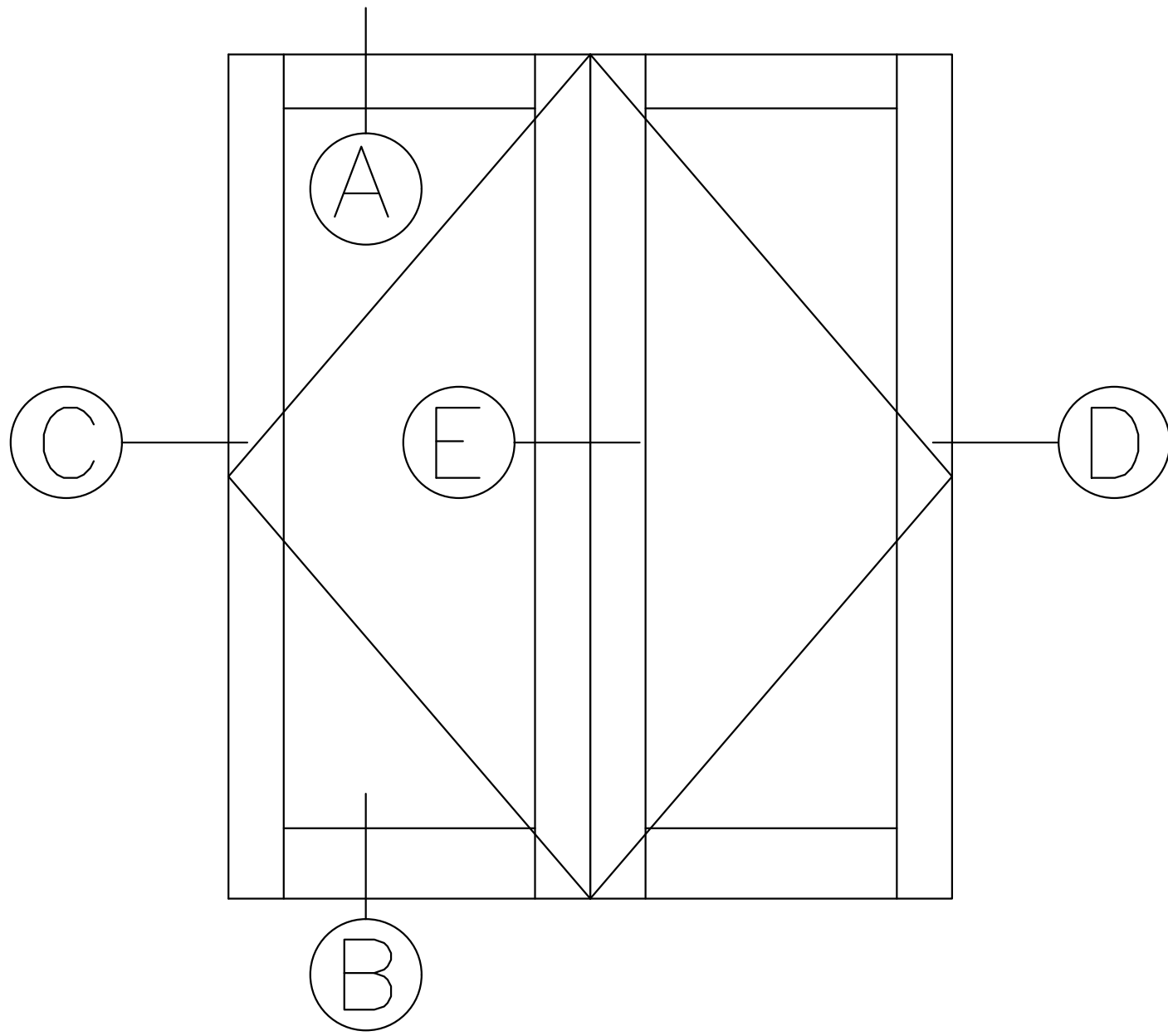
**COMMERCIAL DESIGN  
SYSTEMS INC.**

DATE: AUGUST 2014  
TEL: (905) 738-0188  
FAX: (905) 738-6132  
E-MAIL: CDS2009@BELLNET.CA

PAGE:

D5

# 550 SERIES WIDE STILE INSULATED DOORS



GLASS SIZE: S/U AT 24 <sup>1</sup>/<sub>8</sub>" X 70 <sup>1</sup>/<sub>8</sub>"



**COMMERCIAL DESIGN  
SYSTEMS INC.**

DATE: AUGUST 2014  
 TEL: (905) 738-0188  
 FAX: (905) 738-6132  
 E-MAIL: CDS2009@BELLNET.CA

PAGE:  
**D6**